



Short Description



- Aluminium-alloy IP65 single point load cell
- Colourless anodized
- Suitable for counting scales, balances, pricing scales etc
- Maximum platform size: 200 x 200 mm

Non OIML approved

Available Models

Capacity	Accuracy	Full Article Description
0.3kg	C2	L6J1-C2-0.3kg-0.45B
0.6kg	C2	L6J1-C2-0.6kg-0.45B
1kg	C2	L6J1-C2-1kg-0.45B
2kg	C2	L6J1-C2-2kg-0.45B
3kg	C2	L6J1-C2-3kg-0.45B

Specifications and dimensions are subject to change without notice and do not constitute any liability whatsoever.

Technical Specifications L6J1

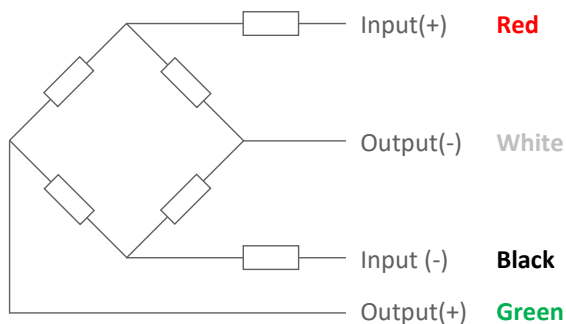
Accuracy Class		C2
Output Sensitivity (= FS)	mV/V	0.9 ± 0.1
Maximum Capacity (E _{max})	kg	0.3, 0.6, 1, 2, 3
Max. Number of Load Cell Intervals	n _{LC}	2500
Ratio of min. LC Verification Interval	$Y = E_{max} / v_{min}$	5000
Combined Error	%FS	≤± 0.028
Creep Error (30 minutes)	%FS	≤± 0.024
Temperature Effect on Zero (ZTC)	%FS/10°C	≤± 0.030
Temperature Effect on Sensitivity (STC)	%FS/10°C	≤± 0.030
Zero Balance	mV/V	-0.020 ~ +0.040
Safe Overload	%FS	120
Ultimate Overload	%FS	150
Maximum Deflection	mm	0.28
Eccentric Loading Error	%Ld/cm	± 0.002
Excitation, Recommended Voltage	V	5 ~ 10
Excitation, Maximum Voltage	V	12
Input Resistance	Ω	406 ± 6
Output Resistance	Ω	350 ± 3
Insulation Resistance (50V)	MΩ	≥5000
Compensated Temperature	°C	-10 ~ + 40
Operating Temperature	°C	-35 ~ + 65
Load Cell Weight	kg	0.03
Element Material		Aluminium
Ingress Protection (acc. to EN 60529)		IP65
Recommended Torque on Fixation Bolts	Nm	M3: 1.5

Wiring

Features:

Cable type: Shielded, 4 conductor cable , conductor AWG 28
 Cable diameter: Ø 2.9mm
 Cable length: 0.45m
 Cable jacket: PVC
 Shield not connected to element

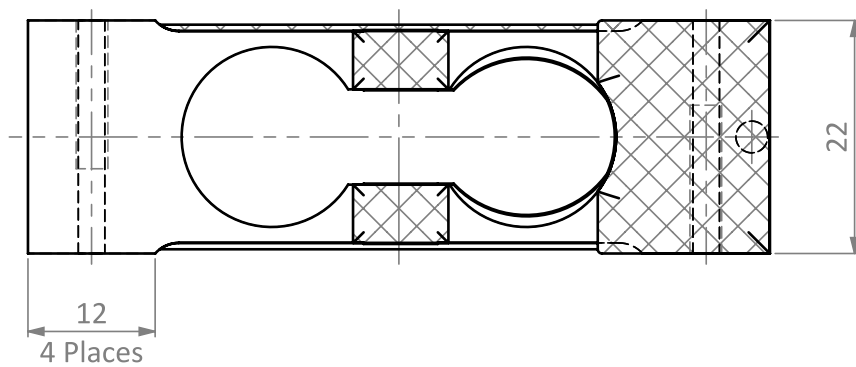
4-Wire Connection Diagram



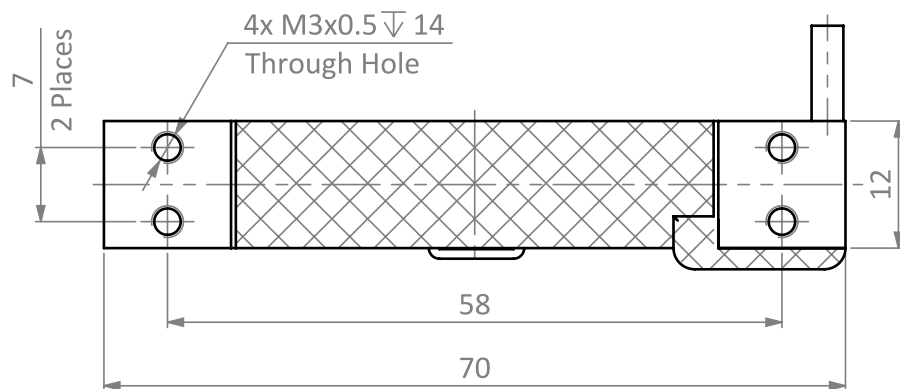
Specifications and dimensions are subject to change without notice and do not constitute any liability whatsoever.

Dimensions in mm

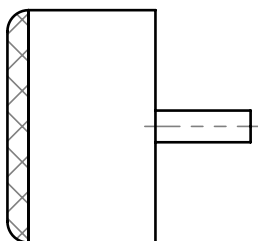
Front View



Top View



Side View



Isometric View

