



Short Description



- Aluminium-alloy IP65 single point load cell
- Colourless anodized
- Suitable for belt, pricing and platform scales
- Maximum platform size:
 - for 50kg – 200kg: 600 x 600 mm
 - for 250kg – 500kg: 600 x 800 mm
 - for 750kg – 2000kg: 1200 x 1200 mm



Test certificate no. D09-06.10
C of C no R60/2000-CN1-06.01

Available Models

Capacity	Accuracy	Full Article Description
50kg	C3	L6F-C3-50kg-3B6
100kg	C3	L6F-C3-100kg-3B6
150kg	C3	L6F-C3-150kg-3B6
200kg	C3	L6F-C3-200kg-3B6
250kg	C3	L6F-C3-250kg-3B6
500kg	C3	L6F-C3-500kg-3B6
750kg	C3	L6F-C3-750kg-3B6(-W1)
1000kg	C3	L6F-C3-1000kg-3B6
2000kg	C3	L6F-C3-2000kg-3B6

Specifications and dimensions are subject to change without notice and do not constitute any liability whatsoever.

Technical Specifications L6F

Accuracy Class		OIML R60 C3		
Output Sensitivity (= FS)	mV/V	2.0 ± 0.2		
Maximum Capacity (E _{max})	kg	50, 100, 150, 200, 250, 500, 750, 1000, 2000		
Max. Number of Load Cell Intervals	n _{LC}	3000		
Ratio of min. LC Verification Interval	Y = E _{max} / v _{min}	7000		
Combined Error	%FS	≤± 0.02		
Creep Error (30 minutes)	%FS	≤± 0.0167		
Temperature Effect on Zero (ZTC)	%FS/10°C	≤± 0.02		
Temperature Effect on Sensitivity (STC)	%FS/10°C	≤± 0.0175		
Zero Balance	%FS	≤± 2.0		
Safe Overload	%FS	120		
Ultimate Overload	%FS	150		
Maximum Deflection	mm	50kg: ~0.21	250kg: ~0.34	2t: 1.4 ~ 1.5
Eccentric Loading Error	%Ld/cm	± 0.002		
Excitation, Recommended Voltage	V	5 ~ 12		
Excitation, Maximum Voltage	V	18		
Input Resistance	Ω	406 ± 6		
Output Resistance	Ω	350 ± 3		
Insulation Resistance (50V)	MΩ	≥5000		
Compensated Temperature	°C	-10 ~ + 40		
Operating Temperature	°C	-35 ~ + 65		
Storage Temperature	°C	-40 ~ + 70		
Load Cell Weight	kg	50kg-200kg: ~1.1	250kg-500kg: 1.8	750kg-2t: 3.7
Element Material		Aluminium		
Ingress Protection (acc. to EN 60529)		IP65		
Recommended Torque on Fixation Bolts	Nm	M12: 100	M16: 160	

Wiring

Features:

Cable type: Shielded, X conductor cable , conductor AWG 24

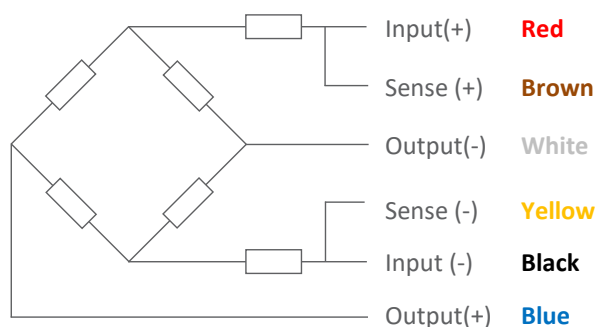
Cable diameter: Ø 6.2mm

Cable length: 3.0m

Cable jacket: PVC

Shield not connected to element

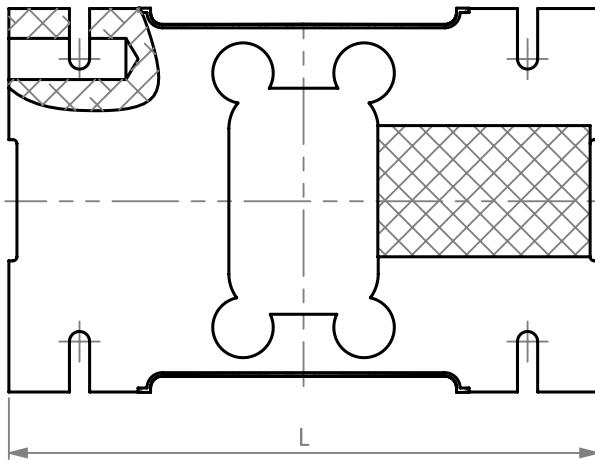
6-Wire Connection Diagram



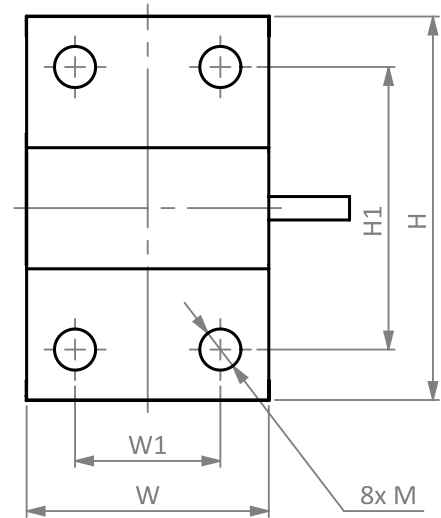
Specifications and dimensions are subject to change without notice and do not constitute any liability whatsoever.

Dimensions in mm

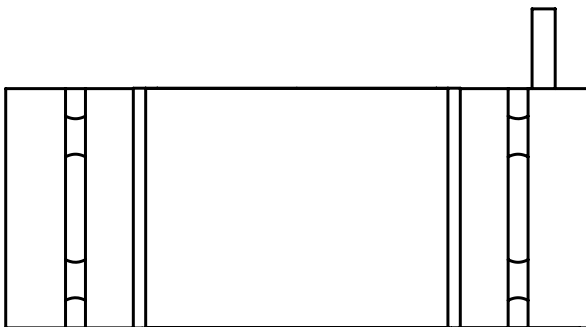
Front View



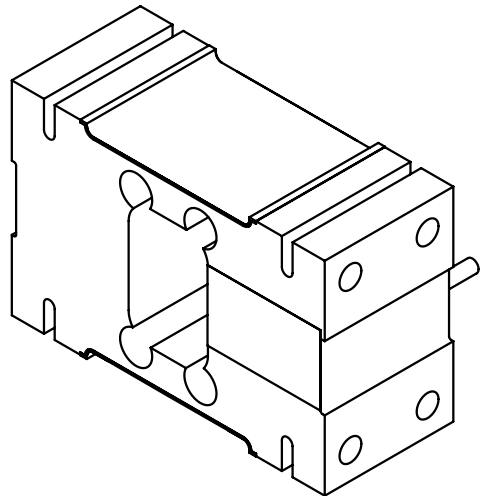
Side View



Top View



Isometric View



Dimension \ Capacity	H	H1	L	W	W1	M
50kg-200kg	75	50	156	44	24	M12
250kg-500kg, 750kg-W1	95	70	146	60	36	M12
750-2000kg	125	95	176	76	46	M16

Specifications and dimensions are subject to change without notice and do not constitute any liability whatsoever.