

## Short Description



- Aluminium-alloy IP65 single point load cell
- Colourless anodized
- Suitable for pricing scales, bench scales, etc.
- Maximum platform size: 400 x 400 mm



Test certificate no. TC7838 Revision 1  
C of C no R60/2000-NL1-10.22



Certificate no. 11-062

## Available Models

Capacity	Accuracy	Full article description
30kg	C3 (excluded from OIML)	L6E-C3-30kg-2B
50kg	C3/C4/C5	L6E-C3/C4/C5-50kg-2B
60kg	C3/C4/C5	L6E-C3/C4/C5-60kg-2B
80kg	C3/C4/C5	L6E-C3/C4/C5-80kg-2B
100kg	C3/C4/C5	L6E-C3/C4/C5-100kg-2B
150kg	C3/C4/C5	L6E-C3/C4/C5-150kg-2B
200kg	C3/C4/C5	L6E-C3/C4/C5-200kg-2B
300kg	C3/C4/C5	L6E-C3/C4/C5-300kg-2B
500kg	C3/C4/C5	L6E-C3/C4/C5-500kg-2B

Specifications and dimensions are subject to change without notice and do not constitute any liability whatsoever.

## Technical Specifications L6E

Accuracy Class		C3	OIML R60 C3	OIML R60 C4	OIML R60 C5
Output Sensitivity (= FS)	mV/V	2.0 ± 0.2			
Maximum Capacity ( E <sub>max</sub> )	kg	30	50, 60, 80, 100, 150, 200, 300, 500		
Max. Number of Load Cell Intervals	n <sub>LC</sub>	3000		4000	5000
Ratio of min. LC Verification Interval	$Y = E_{max} / V_{min}$	10000		15000	20000
Combined Error	%FS	≤± 0.0230		≤± 0.0175	≤± 0.014
Creep Error (30 minutes)	%FS	≤± 0.0167		≤± 0.0125	≤± 0.010
Temperature Effect on Zero (ZTC)	%FS/10°C	≤± 0.0200		≤± 0.0120	≤± 0.009
Temperature Effect on Sensitivity (STC)	%FS/10°C	≤± 0.0175		≤± 0.0131	≤± 0.010
Zero Balance	%FS	≤ ± 2.0			
Safe Overload	%FS	150			
Ultimate Overload	%FS	200			
Maximum Deflection	mm	30kg – 150kg: 0.6 ~ 0.96		200kg – 500kg: 0.9 ~ 1.3	
Eccentric Loading Error	%LD/cm	≤ 0.002			
Excitation, Recommended Voltage	V	5 ~ 12			
Excitation, Maximum Voltage	V	18			
Input Resistance	Ω	406 ± 6			
Output Resistance	Ω	350 ± 3			
Insulation Resistance (50V)	MΩ	≥5000			
Compensated Temperature	°C	-10 ~ + 40			
Operating Temperature	°C	-35 ~ +65			
Storage Temperature	°C	-40 ~ +70			
Load Cell Weight	kg	~0.45			
Element Material		Aluminium			
Ingress Protection (acc. to EN 60529)		IP65			
Recommended Torque on Fixation Bolts	Nm	M6: 20			

## Wiring

### Features:

Cable type: Shielded, 4 conductor cable , conductor AWG 24

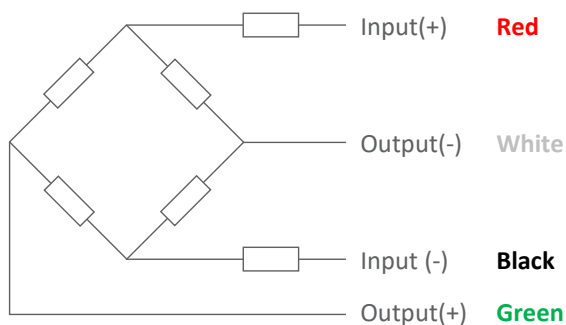
Cable diameter: Ø 5.3mm

Cable length: 2.0m

Cable jacket: PVC

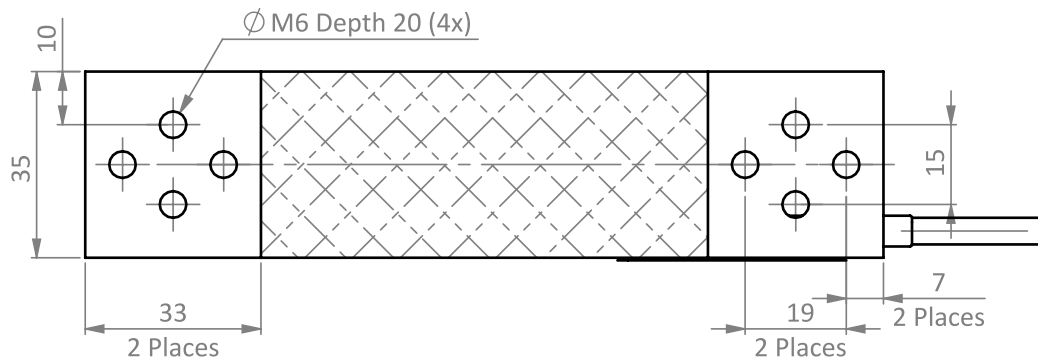
Shield not connected to element

### 4-Wire Connection Diagram

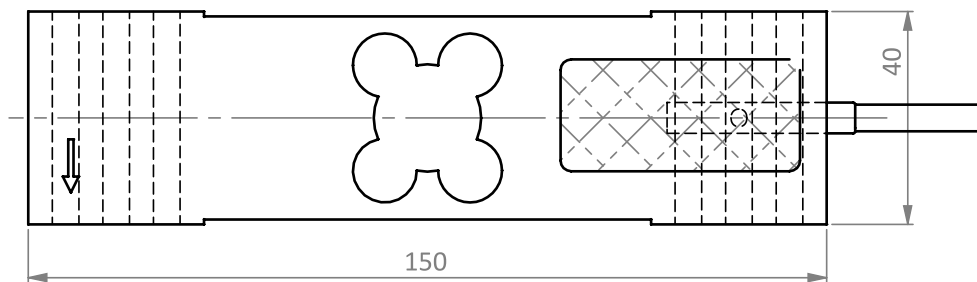


## Dimensions in mm

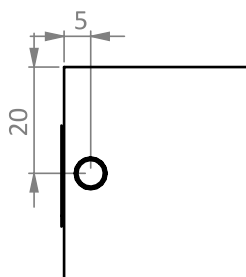
### Top View



### Side View



### Back View



### Isometric View

