




## Short Description



- Aluminium-alloy IP65 single point load cell
- Colourless anodized
- Suitable for pricing scales, bench scales, etc.
- Maximum platform size: 350 x 350 mm

 OIML Test certificate no. D09-09.12 Revision 1

## Available Models

Capacity	Accuracy	Full Article Description
75kg	C3/C4	L6D8-C3/C4-75kg-1.6B
100kg	C3/C4	L6D8-C3/C4-100kg-1.6B
150kg	C3/C4	L6D8-C3/C4-150kg-1.6B
200kg	C3/C4	L6D8-C3/C4-200kg-1.6B

## Technical Specifications L6D8

Accuracy Class		OIML R60 C3	OIML R60 C4
Output Sensitivity ( = FS )	mV/V	2.0 ± 0.2	
Maximum Capacity ( E <sub>max</sub> )	kg	75, 100, 150, 200	
Max. Number of Load Cell Intervals	n <sub>LC</sub>	3000	4000
Ratio of min. LC Verification Interval	Y = E <sub>max</sub> / v <sub>min</sub>	10000	16000
Combined Error	%FS	≤± 0.023	≤± 0.015
Creep Error (30 minutes)	%FS	≤± 0.0167	≤± 0.015
Temperature Effect on Zero (ZTC)	%FS/10°C	≤± 0.020	≤± 0.014
Temperature Effect on Sensitivity (STC)	%FS/10°C	≤± 0.0167	≤± 0.015
Zero Balance	%FS	≤± 2.0	
Safe Overload	%FS	120	
Ultimate Overload	%FS	150	
Maximum Deflection	mm	75kg: 0.75	100-200kg: 1.05
Eccentric Loading Error	%Ld/cm	± 0.01	
Excitation, Recommended Voltage	V	5 ~ 12	
Excitation, Maximum Voltage	V	18	
Input Resistance	Ω	409 ± 6	
Output Resistance	Ω	350 ± 3	
Insulation Resistance (50V)	MΩ	≥5000	
Compensated Temperature	°C	-10 ~ + 40	
Operating Temperature	°C	-35 ~ + 65	
Storage Temperature	°C	-40 ~ + 70	
Load Cell Weight	kg	0.26	
Element Material		Aluminium	
Ingress Protection (acc. to EN 60529)		IP65	
Recommended Torque on Fixation Bolts	Nm	M6: 10	

## Wiring

### Features:

Cable type: Shielded, 4 conductor cable , conductor AWG 26

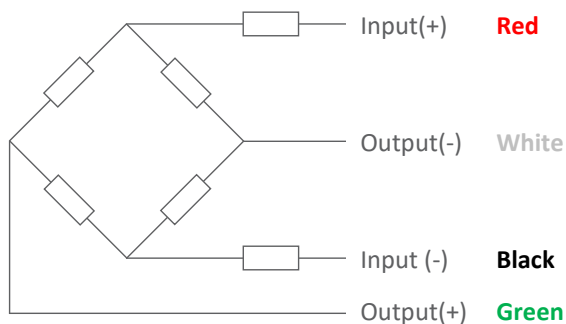
Cable diameter: Ø 3.8mm

Cable length: 1.6m

Cable jacket: PVC

Shield not connected to element

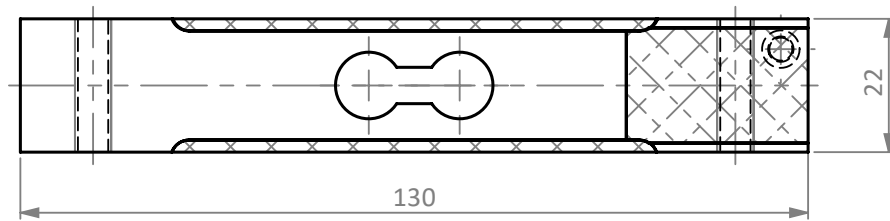
### 4-Wire Connection Diagram



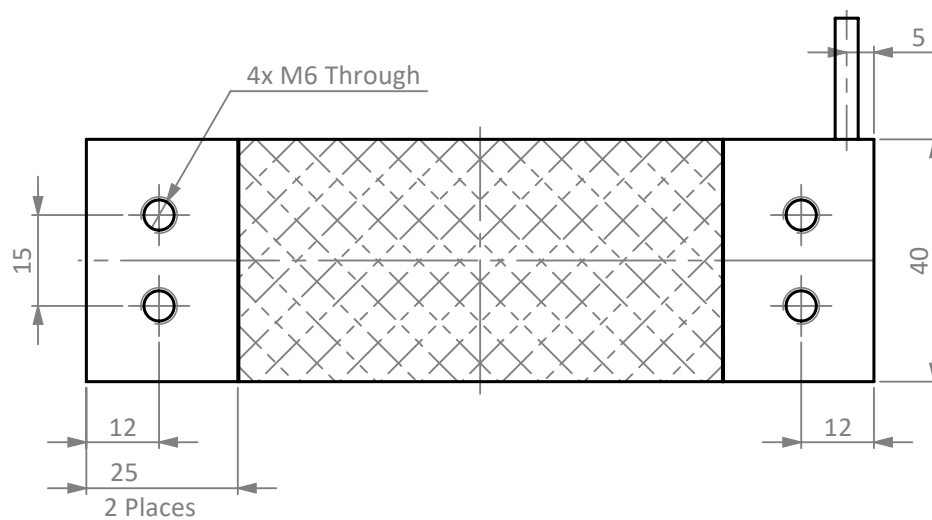
Specifications and dimensions are subject to change without notice and do not constitute any liability whatsoever.

## Dimensions in mm

### Front View

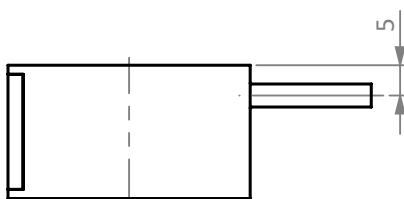


### Top View



*Note: Screws M6 class 8.8, screw rinsed with oil. Torque as in specifications table.*

### Side View



### Isometric View

