



Short Description



- Stainless steel IP68/IP69k single point load cell
- Suitable for platform, belt scales and other Weighing devices
- Maximum platform size 800 x 800mm (for 100 – 500 kg)
- Maximum platform size 400 x 400mm (for 10 – 100kgSE)
- 10kg only available with PTB certificate D09-10.06 Revision 1 of C R60/2000 DE1-10.02
- 10kg, 20 kg, 50 kg also available with C4MR approval with PTB certificate D09-10.06 revision 1, C of C R60/2000 DE1-10.02 (Y=40000 Z=6000)



Test certificate no. TC8011 Revision 0
C of C no R60/2000-NL1-11.29



Certificate no. 12-017

Available Models

| Capacity | Accuracy | Full article description |
|----------|---------------|-------------------------------|
| 10kg | C3/C4/C4MR | BM6G-C3/C4/C4MR-10kgSE-3B6 |
| 20kg | C3/C4/C5/C4MR | BM6G-C3/C4/C5/C4MR-20kgSE-3B6 |
| 50kg | C3/C4/C5/C4MR | BM6G-C3/C4/C5/C4MR-50kgSE-3B6 |
| 75kg | C3/C4/C5 | BM6G-C3/C4/C5-75kgSE-3B6 |
| 100kg | C3/C4/C5 | BM6G-C3/C4/C5-100kgSE-3B6 |
| 100kg | C3/C4/C5 | BM6G-C3/C4/C5-100kg-3B |
| 150kg | C3/C4/C5 | BM6G-C3/C4/C5-150kg-3B |
| 200kg | C3/C4/C5 | BM6G-C3/C4/C5-200kg-3B |
| 300kg | C3/C4/C5 | BM6G-C3/C4/C5-300kg-3B |
| 400kg | C3/C4/C5 | BM6G-C3/C4/C5-400kg-3B |
| 500kg | C3/C4/C5 | BM6G-C3/C4/C5-500kg-3B |

Specifications and dimensions are subject to change without notice and do not constitute any liability whatsoever.

Technical Specifications BM6G

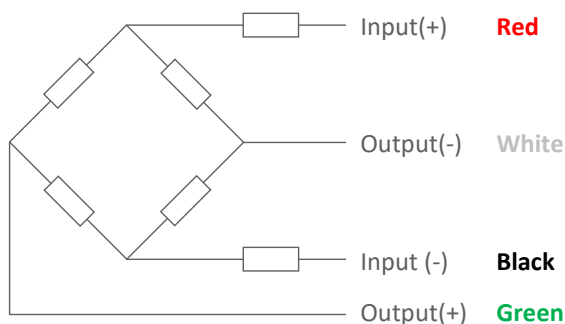
| | | | | |
|---|-------------------------|--|----------------------|---|
| Accuracy Class | | OIML R60 C3 | OIML R60 C4 | OIML R60 C5 |
| Output Sensitivity (= FS) | mV/V | 2.0 ± 0.2 | | |
| Maximum Capacity (E _{max}) | kg | 10, 20, 50, 75, 100, 150, 200, 300, 400, 500 | | 20, 50, 75, 100, 150, 200, 250, 300, 400, 500 |
| Max. Number of Load Cell Intervals | n _{LC} | 3000 | 4000 | 5000 |
| Ratio of min. LC Verification Interval | $Y = E_{max} / V_{min}$ | 10000 | 15000 | 20000 |
| Combined Error | %FS | ≤± 0.023 | ≤± 0.0175 | ≤± 0.014 |
| Creep Error (30 minutes) | %FS | ≤± 0.0245 | ≤± 0.0184 | ≤± 0.0147 |
| Temperature Effect on Zero (ZTC) | %FS/10°C | ≤± 0.0140 | ≤± 0.0093 | ≤± 0.0088 |
| Temperature Effect on Sensitivity (STC) | %FS/10°C | ≤± 0.0117 | ≤± 0.0088 | ≤± 0.0070 |
| Zero Balance | %FS | ≤± 2.0 | | |
| Safe Overload | %FS | 150 | | |
| Ultimate Overload | %FS | 300 | | |
| Maximum Deflection | mm | 0.12977 ~ 0.19753 | | |
| Excitation, Recommended Voltage | V | 5 ~ 12 | | |
| Excitation, Maximum Voltage | V | 18 | | |
| Input Resistance | Ω | 10-75kg: 380 ± 15 | 100-500kg: 350 ± 3.5 | |
| Output Resistance | Ω | 350 ± 10 | | |
| Insulation Resistance (50V) | MΩ | ≥5000 | | |
| Compensated Temperature | °C | -10 ~ + 40 | | |
| Operating Temperature | °C | -35 ~ + 65 | | |
| Storage Temperature | °C | -40 ~ + 70 | | |
| Load Cell Weight | kg | 10kg - 100kgSE: ~1.25 | 100kg – 500kg: 3.35 | |
| Element Material | | Stainless Steel | | |
| Ingress Protection (acc. to EN 60529) | | IP68/IP69k | | |
| Recommended Torque on Fixation Bolts | Nm | M6: 10 | | M8:25 |
| ATEX Classification (optional) | | II1G Ex ia II1C T4 | II1D Ex iaD 20 T73°C | II3G Ex nL IIC T4 |

Wiring

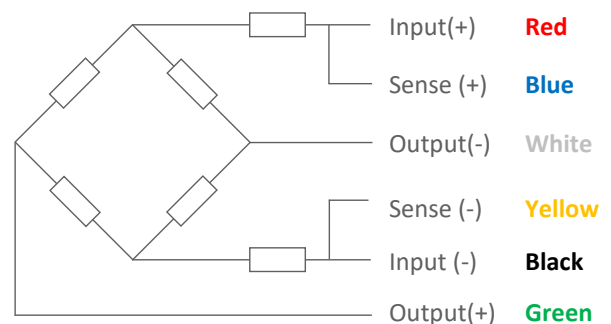
Features:

Cable type: Shielded, 6 conductor cable (10-100(SE)kg) , 4 conductor cable (100-500kg), conductor AWG 22
 Cable diameter: Ø 5mm
 Cable length: 3m
 Cable jacket: Polyurethane
 Shield not connected to element

4-Wire Connection Diagram



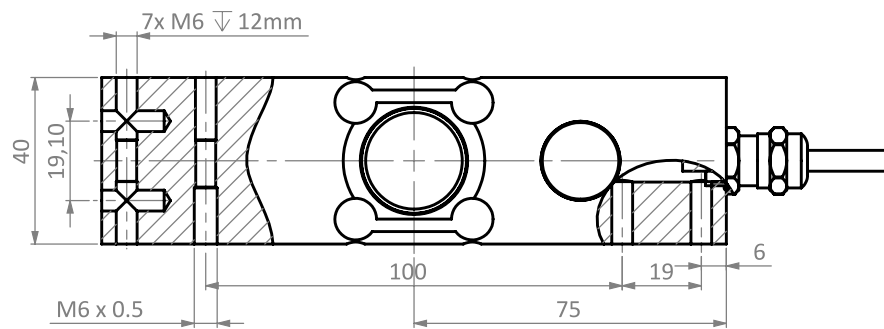
6-Wire Connection Diagram



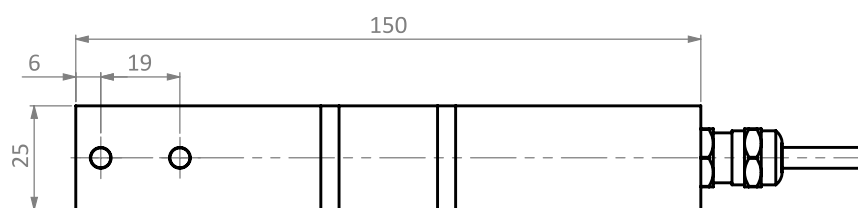
Specifications and dimensions are subject to change without notice and do not constitute any liability whatsoever.

Dimensions in mm

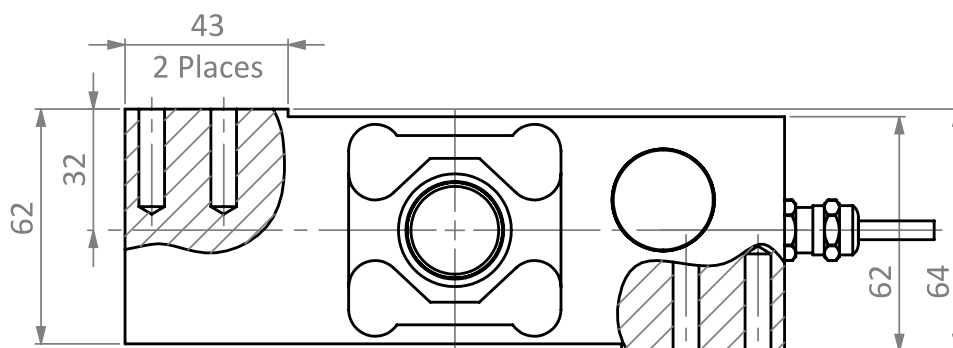
10 - 100(SE)kg Side View



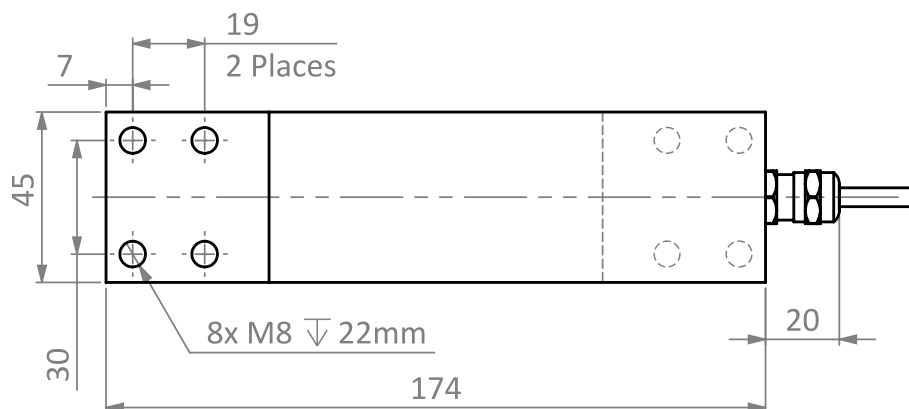
10 - 100(SE)kg Top View



100 - 500kg Side View



100 - 500kg Top View



Specifications and dimensions are subject to change without notice and do not constitute any liability whatsoever.