

Short Description



- Aluminium-alloy IP65 single point load cell
- Colourless anodized
- Suitable for single and double load cell structured platform scales
- Maximum platform size: 600 x 600 mm



Test certificate no. D09-10.23
C of C no R60/2000-DE1-10.11



Certificate no. 12-006

Available Models

Capacity	Accuracy	Full Article Description
50kg	C3/C4	L6T-C3/C4-50kg-3B6
75kg	C3/C4	L6T-C3/C4-75kg-3B6
100kg	C3/C4	L6T-C3/C4-100kg-3B6
150kg	C3/C4	L6T-C3/C4-150kg-3B6
200kg	C3/C4	L6T-C3/C4-200kg-3B6
250kg	C3/C4	L6T-C3/C4-250kg-3B6
300kg	C3	L6T-C3-300kg-3B6
500kg	C3	L6T-C3-500kg-3B6
635kg	C3	L6T-C3-635kg-3B6
1000kg	C3	L6T-C3-1000kg-3B6

Specifications and dimensions are subject to change without notice and do not constitute any liability whatsoever.

Technical Specifications L6T

Accuracy Class		OIML R60 C3		OIML R60 C4
Output Sensitivity (= FS)	mV/V	2.0 ± 0.2		
Maximum Capacity (E _{max})	kg	50, 75, 100, 150, 200, 250	300, 500, 635, 1000	50, 75, 100, 150, 200, 250
Max. Number of Load Cell Intervals	n _{LC}	3000		4000
Ratio of min. LC Verification Interval	Y = E _{max} / V _{min}	6500	15000	6500
Combined Error	%FS	≤± 0.023		≤± 0.014
Creep Error (30 minutes)	%FS	≤± 0.0167		≤± 0.0125
Temperature Effect on Zero (ZTC)	%FS/10°C	≤± 0.02		≤± 0.012
Temperature Effect on Sensitivity (STC)	%FS/10°C	≤± 0.0175		≤± 0.0131
Zero Balance	%FS	≤± 2.0		
Safe Overload	%FS	120		
Ultimate Overload	%FS	150		
Maximum Deflection	mm	0.3 ~ 0.4		
Eccentric Loading Error	%Ld/cm	± 0.002		
Excitation, Recommended Voltage	V	5 ~ 12		
Excitation, Maximum Voltage	V	18		
Input Resistance	Ω	409 ± 6		
Output Resistance	Ω	350 ± 3		
Insulation Resistance (50V)	MΩ	≥5000		
Compensated Temperature	°C	-10 ~ + 40		
Operating Temperature	°C	-35 ~ + 65		
Storage Temperature	°C	-40 ~ + 70		
Load Cell Weight	kg	1.95		
Element Material		Aluminium		
Ingress Protection (acc. to EN 60529)		IP65		
Recommended Torque on Fixation Bolts	Nm	M8: 25		

Wiring

Features:

Cable type: Shielded, 6 conductor cable , conductor AWG 26

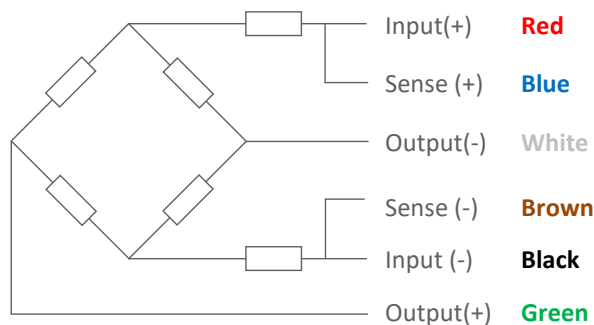
Cable diameter: Ø 4.8m

Cable length: 3.0m

Cable jacket: PVC

Shield not connected to element

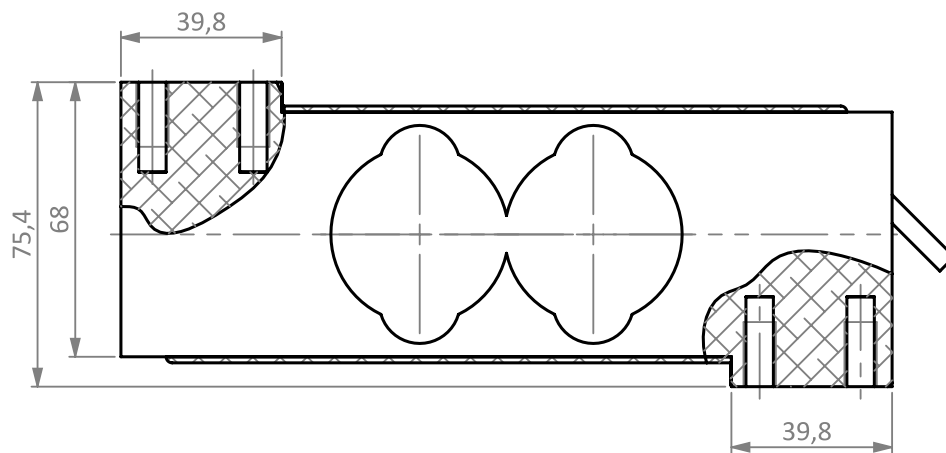
6-Wire Connection Diagram



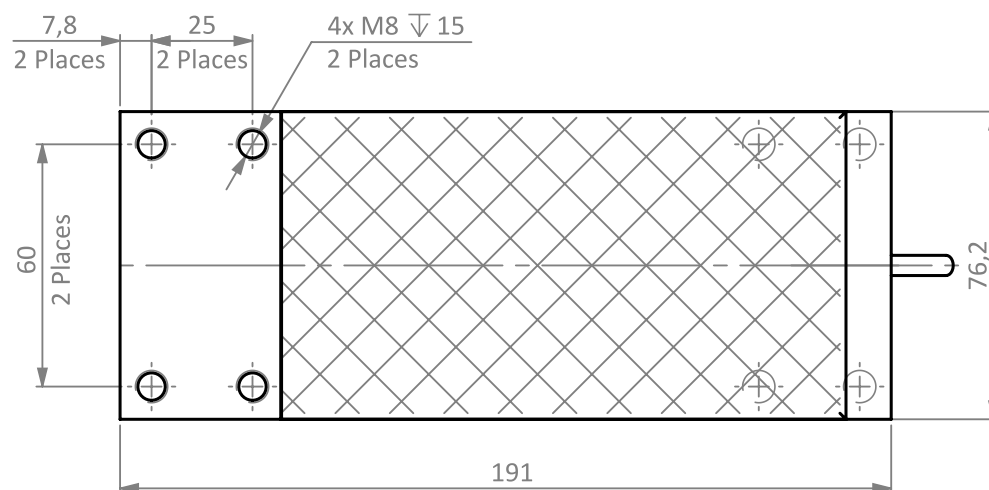
Specifications and dimensions are subject to change without notice and do not constitute any liability whatsoever.

Dimensions in mm

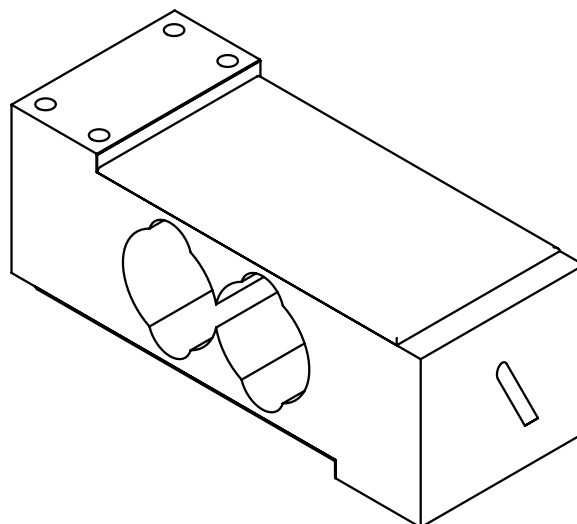
Front View



Top View



Isometric View



Specifications and dimensions are subject to change without notice and do not constitute any liability whatsoever.