


Short Description



- Aluminium-alloy IP65 single-point load cell
- Colourless anodized
- Suitable for pricing scales, bench scales, etc.
- Maximum platform size: 450 x 450 mm

 Test certificate no. TC7836 Revision 1
C of C no R60/2000-NL1-10.34

 Certificate no. 11-062

Available Models

Capacity	Accuracy	Full article description
50kg	C3/C4	L6E3-C3/C4-50kg-3G
100kg	C3/C4	L6E3-C3/C4-100kg-3G
150kg	C3/C4	L6E3-C3/C4-150kg-3G
200kg	C3/C4	L6E3-C3/C4-200kg-3G
250kg	C3/C4	L6E3-C3/C4-250kg-3G
300kg	C3/C4/C5	L6E3-C3/C4/C5-300kg-3G
400kg	C3/C4/C5	L6E3-C3/C4/C5-400kg-3G
500kg	C3/C4/C5	L6E3-C3/C4/C5-500kg-3G

Specifications and dimensions are subject to change without notice and do not constitute any liability whatsoever.

Technical Specifications L6E3

Accuracy Class		OIML R60 C3	OIML R60 C4	OIML R60 C5
Output Sensitivity (= FS)	mV/V	2.0 ± 0.2		
Maximum Capacity (E _{max})	kg	50, 100, 150, 200, 250, 300, 400, 500		300, 400, 500
Max. Number of Load Cell Intervals	n _{LC}	3000	4000	5000
Ratio of min. LC Verification Interval	Y = E _{max} / V _{min}	10000	15000	20000
Combined Error	%FS	≤± 0.0230	≤± 0.0175	≤± 0.0140
Creep Error (30 minutes)	%FS	≤± 0.0167	≤± 0.0125	≤± 0.0100
Temperature Effect on Zero (ZTC)	%FS/10°C	≤± 0.020	≤± 0.012	≤± 0.009
Temperature Effect on Sensitivity (STC)	%FS/10°C	≤± 0.0175	≤± 0.0131	≤± 0.010
Zero Balance	%FS	≤± 2.0		
Safe Overload	%FS	150		
Ultimate Overload	%FS	200		
Maximum Deflection	mm	50kg -200kg: ~0.7-0.9	250kg -500kg: ~0.9-1.3	
Eccentric Loading Error	%Ld/cm	≤± 0.002		
Excitation, Recommended Voltage	V	5 ~ 12		
Excitation, Maximum Voltage	V	18		
Input Resistance	Ω	406 ± 6		
Output Resistance	Ω	350 ± 3.5		
Insulation Resistance (50V)	MΩ	≥5000		
Compensated Temperature	°C	-10 ~ +40		
Operating Temperature	°C	-35 ~ +65		
Storage Temperature	°C	-40 ~ +70		
Load Cell Weight	kg	~0.6		
Element Material		Aluminium		
Ingress Protection (acc. to EN 60529)		IP65		
Recommended Torque on Fixation Bolts	Nm	M8: 25		

Wiring

Features:

Cable type: Shielded, 4 conductor cable , conductor AWG 24

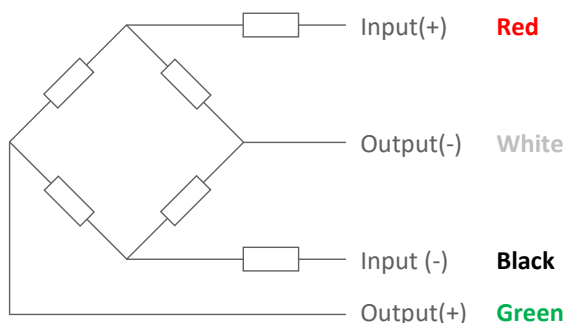
Cable diameter: Ø 5.3mm

Cable length: 3.0m

Cable jacket: PVC

Shield connected to element

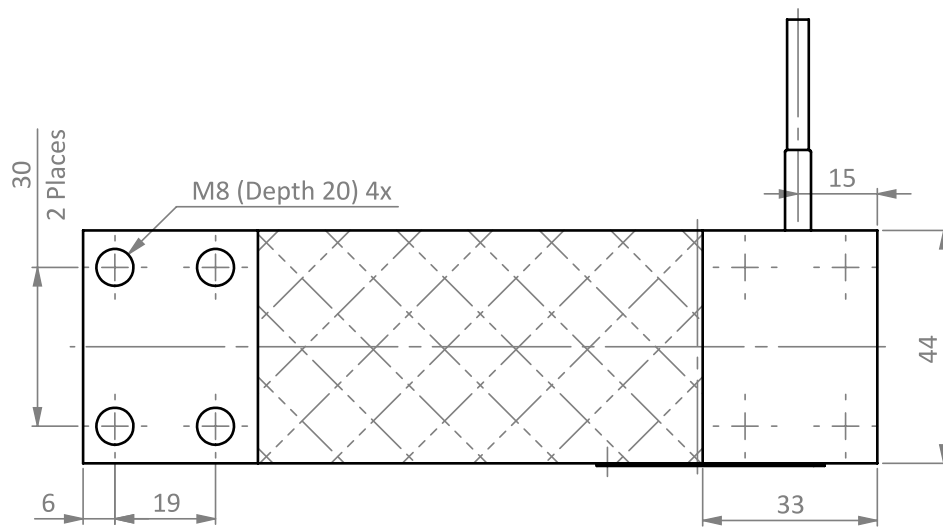
4-Wire Connection Diagram



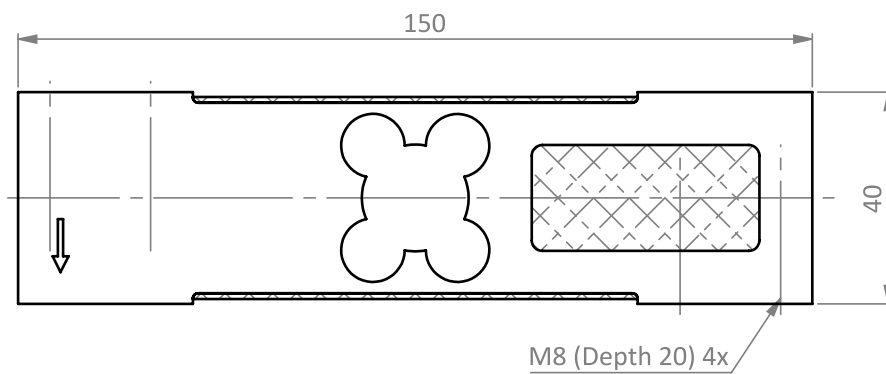
Specifications and dimensions are subject to change without notice and do not constitute any liability whatsoever.

Dimensions in mm

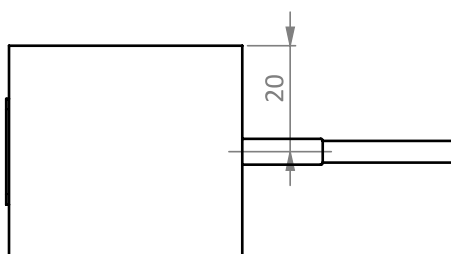
Top View



Side View



Front View



Isometric View

