

**Type:** Tension & Compression (S-type)

**Material:** Stainless Steel

**Protection:** IP 68

**Features:** Low Profile

**Application:** Hybrid Scales  
Hopper Weighing  
Materials Testing  
Crane Scales  
Hostile Environment  
Lever Conversation

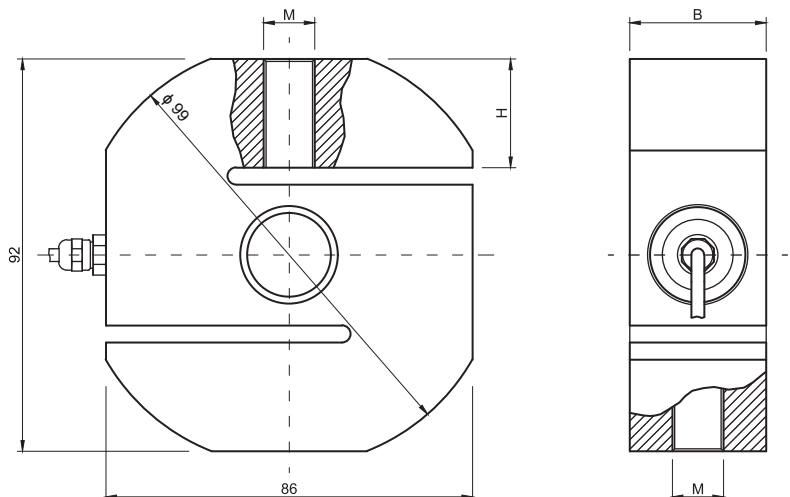
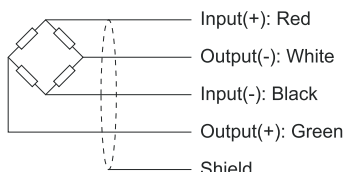


### Specifications:

Capacity		500kg / 1.0t / 2.0t / 3.0t / 4.0t / 5.0t / 6.0t / 7.5t
Accuracy Class		<b>C3</b>
Max. Number of Verification Intervals	$n_{max}$	3000
Minimum Load Cell Verification Level	$V_{min}$	$E_{max}/10000$
Temperature Effect on Zero	%FS/10°C	$\leq \pm 0.0152$
Temperature Effect in Sensitivity	%FS/10°C	$\leq \pm 0.0125$
Combined Error	%FS	$\leq \pm 0.0200$
Creep	%FS	$\leq \pm 0.0165$
Output Sensitivity	mv/v	$2.0 \pm 0.004$
Input Resistance	$\Omega$	$350 \pm 3.5$
Output Resistance	$\Omega$	$350 \pm 3.5$
Insulation Resistance	M $\Omega$	$\geq 5000$
Zero Balance	%FS	$\leq 1.5$
Temperature, Compensated	°C	-10 ~ +40
Temperature, Operating	°C	-30 ~ +70
Excitation, Recommended	v	5 ~ 15
Safe Overload	%FS	150
Ultimate Overload	%FS	250
Standard Cable length	m	3.0 (500kg) / 6.0 (1.0t ~ 7.5t)

### Dimensions:

CAP.(t)	B	H	M
0.5, 1	32	25	M12x1.75
2, 3	32	25	M20x1.5
4	36	25	M20x1.5
5 - 7.5	50	24	M24x2



All dimensions: mm.