

- Type:** Tension
- Material:** Alloy Steel
- Protection:** IP 67
- Features:** It is easy to install, with capability of strong anti-deflective load and shock resistance
- Application:** Ideal for hostile working environment, such as lifting, crane, scales and etc.

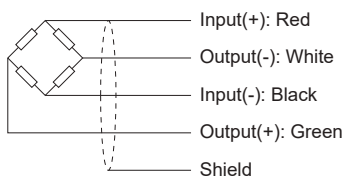
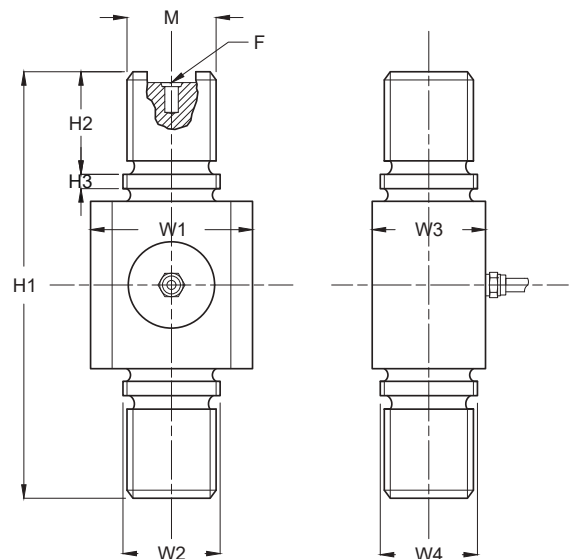


### Specifications:

Capacity		5.0t / 10t / 20t
Accuracy Class		<b>C3</b>
Max. Number of Verification Intervals	$n_{max}$	3000
Minimum Load Cell Verification Level	$v_{min}$	$E_{max}/6000$
Temperature Effect on Zero	%FS/10°C	$\leq \pm 0.0160$
Temperature Effect in Sensitivity	%FS/10°C	$\leq \pm 0.0180$
Combined Error	%FS	$\leq \pm 0.0230$
Creep	%FS	$\leq \pm 0.0200$
Output Sensitivity	mv/v	$2.0 \pm 0.01$
Input Resistance	$\Omega$	$765 \pm 10$
Output Resistance	$\Omega$	$700 \pm 3$
Insulation Resistance	M $\Omega$	$\geq 5000$
Zero Balance	%FS	$\leq 1.0$
Temperature, Compensated	°C	-10 ~ +50
Temperature, Operating	°C	-20 ~ +60
Excitation, Recommended	v	8 ~ 10
Safe Overload	%FS	120
Ultimate Overload	%FS	150
Standard Cable length	m	10

### Dimensions:

CAP.(t)	H1	H2	H3	W1	W2	W3	W4	F	M
5	206	48.5	8	65	55	45	45	-	M36x3
10	206	49	8	76	55	58	55	12	M42x3
20	250	60	8	93	56	64	56	20	M52x3



All dimensions: mm.