

- Type:** Compression
- Material:** Stainless Steel
- Protection:** Hermetically Sealed IP68
- Features:** Anti-Corrosion
Low Profile
- Application:** Truck & Silo Scales
Hopper Weigher
Industrial Weighers



Specifications:

Capacity		250kg / 500kg / 1.0t / 2.0t / 3.5t / 5.0t / 10t / 13t / 28t / 60t	
Accuracy Class		C3	C5
Max. Number of Verification Intervals	n_{max}	3000	5000
Minimum Load Cell Verification Level	V_{min}	$E_{max}/10000$	$E_{max}/16000$
Temperature Effect on Zero	%FS/10°C	$\leq \pm 0.0145$	$\leq \pm 0.0090$
Temperature Effect in Sensitivity	%FS/10°C	$\leq \pm 0.0120$	$\leq \pm 0.0080$
Combined Error	%FS	$\leq \pm 0.0230$	$\leq \pm 0.0140$
Creep	%FS	$\leq \pm 0.0245$	$\leq \pm 0.0190$
Output Sensitivity	mv/v	1.75 ± 0.1 (250kg) / 2.0 ± 0.1 (500kg ~ 60t)	
Input Resistance	Ω	1100 ± 100 (250kg ~ 10t) / 1200 ± 100 (13t) 1075 ± 100 (28t) / 1350 ± 200 (60t)	
Output Resistance	Ω	1025 ± 25 (250kg ~ 10t) / 1000 ± 0.5 (13t) 930 ± 0.5 (28t) / 1175 ± 0.5 (60t)	
Insulation Resistance	M Ω	≥ 5000	
Zero Balance	%FS	≤ 1.0	
Temperature, Compensated	°C	-10 ~ +40	
Temperature, Operating	°C	-35 ~ +70	
Excitation, Recommended	v	10 ~ 15	
Safe Overload	%FS	150	
Ultimate Overload	%FS	300	
Standard Cable length	m	3.0 (250kg ~ 1.0t) / 6.0 (2.0t ~ 5.0t) / 15.0 (10t)	

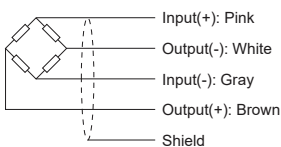
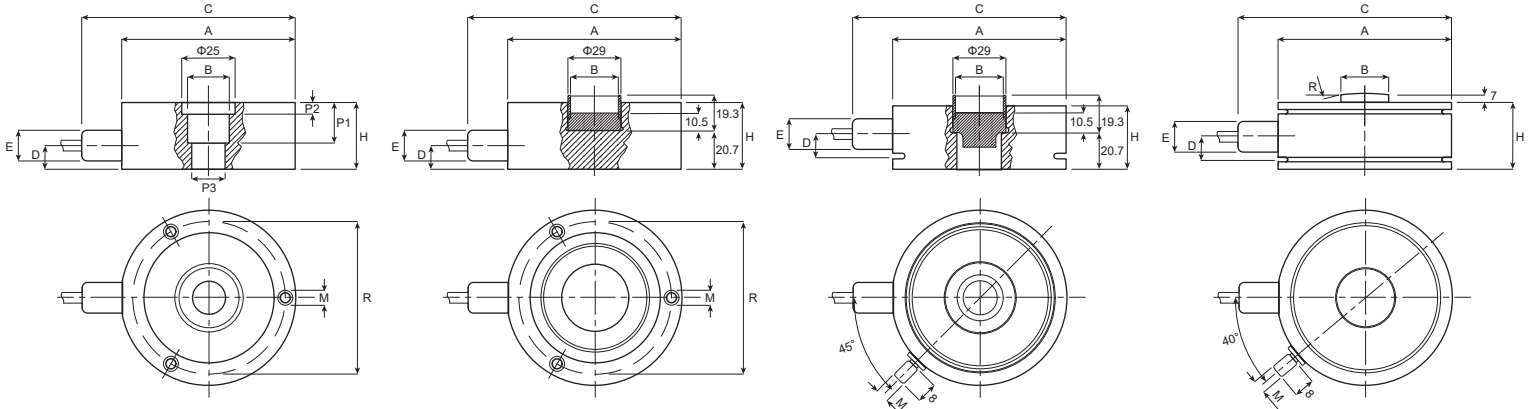
Dimensions:

250kg ~ 5.0t

10t

13t

28t,60t



Cap. (t)	A	B	C	D	E	H	P1	P2	P3	R	M
0.25 ~ 1.0	Φ80	19	105	12.5	Φ15	25	15	1	M10	Φ70	M6 (3x120°) 8 Deep
2.0 ~ 5.0	Φ80	19	105	12.5	Φ15	30	20	6	Φ15	Φ70	M6 (3x120°) 8 Deep
10	Φ95	26	114.5	12.5	Φ15	35	-	-	-	Φ83	M6 (3x120°) 8 Deep
13	Φ95	26	130	20	Φ18	35	-	-	-	-	M6 - 8 Deep
28	Φ120	35.9	154	25	Φ18	46	-	-	-	400	M6 - 8 Deep
60	Φ140	47.9	174	34	Φ18	62	-	-	-	600	M6 - 8 Deep

All dimensions: mm.