

- Type:** Compression
- Material:** Alloy Steel
- Protection:** IP 67
- Features:** Anti-Corrosion
Low Profile
- Application:** Truck & Silo Scales
Hopper Weigher
Industrial Weighers

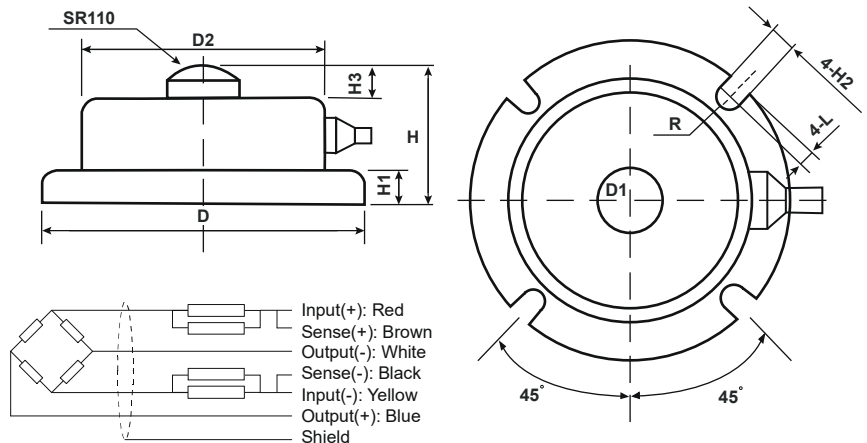


Specifications:

Capacity		15t / 20t / 30t / 50t	5.0t / 10t	1.0t / 2.0t / 3.0t
Accuracy Class		C1	C2	C3
Max. Number of Verification Intervals	n_{max}	1000	2000	3000
Minimum Load Cell Verification Level	v_{min}	$E_{max}/3000$	$E_{max}/5000$	$E_{max}/7500$
Temperature Effect on Zero	%FS/10°C	$\leq \pm 0.0400$	$\leq \pm 0.0290$	$\leq \pm 0.0190$
Temperature Effect in Sensitivity	%FS/10°C	$\leq \pm 0.0290$	$\leq \pm 0.0170$	$\leq \pm 0.0110$
Combined Error	%FS	$\leq \pm 0.0500$	$\leq \pm 0.0300$	$\leq \pm 0.0200$
Creep	%FS	$\leq \pm 0.0370$	$\leq \pm 0.0230$	$\leq \pm 0.0160$
Output Sensitivity	mv/v	2.0 ± 0.01		
Input Resistance	Ω	770 ± 30		
Output Resistance	Ω	700 ± 7		
Insulation Resistance	M Ω	≥ 5000		
Zero Balance	%FS	≤ 1.5		
Temperature, Compensated	°C	-10 ~ +40		
Temperature, Operating	°C	-30 ~ +70		
Excitation, Recommended	v	5 ~ 15		
Safe Overload	%FS	150		
Ultimate Overload	%FS	250		
Standard Cable length	m	3.0 (1.0t ~ 3.0t) / 4.0 (5.0t ~ 10t) / 5.0 (15t ~ 50t)		

Dimensions:

CAP.(t)	D	D1	D2	F	H	H1	H2	L
1	115	22	86	8.4	43	12	5	8
2	120	26	90	8.4	45	12	5	8
3,5	128	20	100	10.4	46	8	5	7
10	160	40	120	10.4	63	15	10	10
15	194	42	154	12.4	68	20	10	12
20	220	44	170	12.4	73	22	10	12
30	230	48	188	12.4	78	25	10	12
50	264	52	214	12.4	90	30	10	12



All dimensions: mm.