

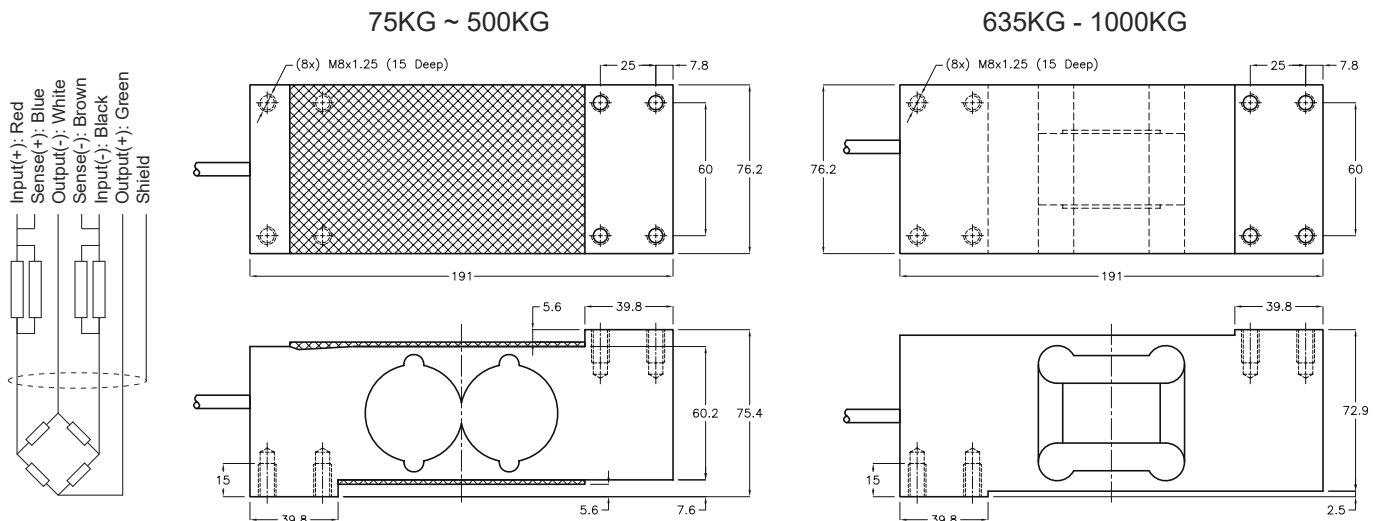
- Type:** Single Point
- Material:** Aluminum Alloy
- Surface:** Anodized Treatment
- Protection:** IP 65
- Features:** Suggested Platform
Size: 800x800 mm
- Application:** Platform Scales
Bench Scales
Bag Filing
Overhead Track Scales



Specifications:

| Capacity | | 75kg / 150kg / 250kg / 500kg / 635kg / 1.0t | |
|---------------------------------------|------------|---|-------------------|
| Accuracy Class | | C3 | C4 |
| Max. Number of Verification Intervals | n_{max} | 3000 | 4000 |
| Minimum Load Cell Verification Level | v_{min} | $E_{max}/7000$ | $E_{max}/12000$ |
| Temperature Effect on Zero | %FS/10°C | $\leq \pm 0.0205$ | $\leq \pm 0.0138$ |
| Temperature Effect in Sensitivity | %FS/10°C | $\leq \pm 0.0178$ | $\leq \pm 0.0152$ |
| Combined Error | %FS | $\leq \pm 0.0200$ | $\leq \pm 0.0175$ |
| Creep | %FS | $\leq \pm 0.0170$ | $\leq \pm 0.0160$ |
| Output Sensitivity | mv/v | 2.0 ± 0.3 | |
| Input Resistance | Ω | 410 ± 5 | |
| Output Resistance | Ω | 350 ± 3.5 | |
| Insulation Resistance | M Ω | ≥ 5000 | |
| Zero Balance | %FS | ≤ 2.0 | |
| Temperature, Compensated | °C | -10 ~ +40 | |
| Temperature, Operating | °C | -20 ~ +50 | |
| Excitation, Recommended | v | 5 ~ 15 | |
| Safe Overload | %FS | 150 | |
| Ultimate Overload | %FS | 300 | |
| Standard Cable length | m | 3.0 | |

Dimensions:



All dimensions: mm.