

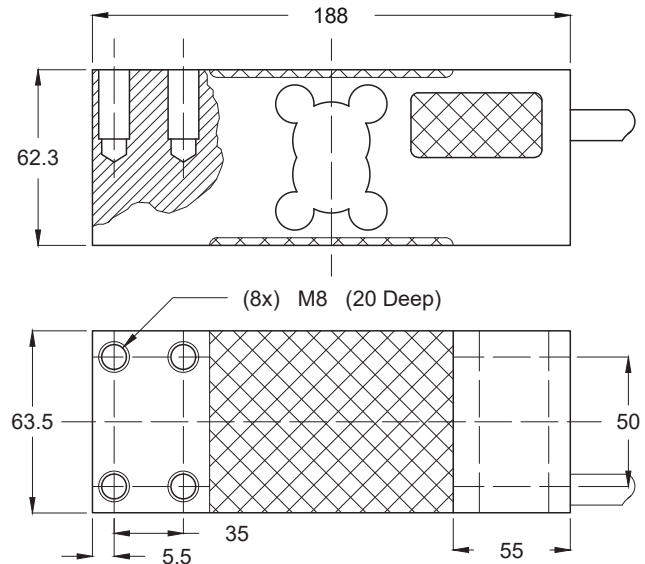
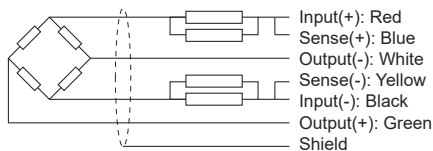
- Type:** Single Point
- Material:** Aluminum Alloy
- Surface:** Anodized Treatment
- Protection:** IP 65
- Features:** Suggested Platform
Size: 600x600 mm
- Application:** Platform Scales
Bench Scales
Bag Filing
Overhead Track Scales



Specifications:

Capacity		50kg / 75kg / 100kg / 150kg / 200kg / 250kg / 300kg 500kg / 635kg / 750kg / 1.0t
Accuracy Class		C3
Max. Number of Verification Intervals	n_{max}	3000
Minimum Load Cell Verification Level	v_{min}	$E_{max}/7000$
Temperature Effect on Zero	%FS/10°C	$\leq \pm 0.0205$
Temperature Effect in Sensitivity	%FS/10°C	$\leq \pm 0.0178$
Combined Error	%FS	$\leq \pm 0.0200$
Creep	%FS	$\leq \pm 0.0170$
Output Sensitivity	mv/v	2.0 ± 0.3
Input Resistance	Ω	405 ± 5
Output Resistance	Ω	350 ± 3.5
Insulation Resistance	M Ω	≥ 5000
Zero Balance	%FS	≤ 2.0
Temperature, Compensated	°C	-10 ~ +40
Temperature, Operating	°C	-20 ~ +50
Excitation, Recommended	v	5 ~ 15
Safe Overload	%FS	150
Ultimate Overload	%FS	300
Standard Cable length	m	3.0

Dimensions:



All dimensions: mm.