

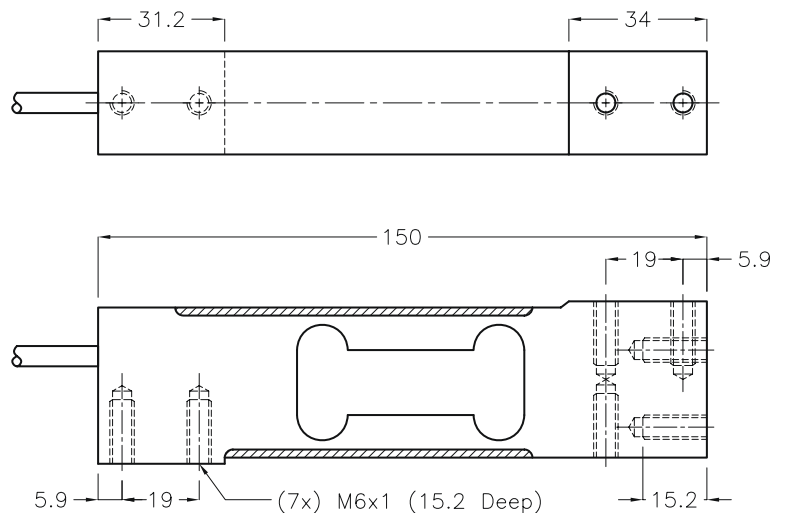
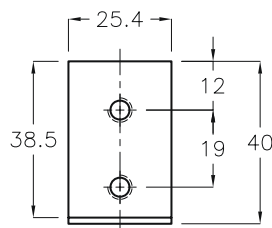
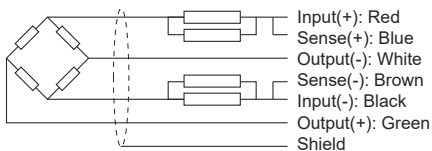
- Type:** Single Point
- Material:** Aluminum Alloy
- Surface:** Anodized Treatment
- Protection:** IP 65
- Features:** Suggested Platform  
Size: 400x400 mm
- Application:** Bench & Counting Scales  
Bagging Machine  
Check Weighers



### Specifications:

Capacity		5kg / 10kg / 15kg / 20kg / 30kg / 50kg / 75kg / 100kg	
Accuracy Class		C3	C5
Max. Number of Verification Intervals	$n_{max}$	3000	5000
Minimum Load Cell Verification Level	$V_{min}$	$E_{max}/10000$	$E_{max}/20000$
Temperature Effect on Zero	%FS/10°C	$\leq \pm 0.0205$	$\leq \pm 0.0138$
Temperature Effect in Sensitivity	%FS/10°C	$\leq \pm 0.0178$	$\leq \pm 0.0152$
Combined Error	%FS	$\leq \pm 0.0200$	$\leq \pm 0.0172$
Creep	%FS	$\leq \pm 0.0170$	$\leq \pm 0.0160$
Output Sensitivity	mv/v	$2.0 \pm 0.3$	
Input Resistance	$\Omega$	$410 \pm 5$	
Output Resistance	$\Omega$	$350 \pm 3.5$	
Insulation Resistance	M $\Omega$	$\geq 5000$	
Zero Balance	%FS	$\leq 2.0$	
Temperature, Compensated	°C	$-10 \sim +40$	
Temperature, Operating	°C	$-20 \sim +50$	
Excitation, Recommended	v	$5 \sim 15$	
Safe Overload	%FS	150	
Ultimate Overload	%FS	300	
Standard Cable length	m	3.0	

### Dimensions:



All dimensions: mm.