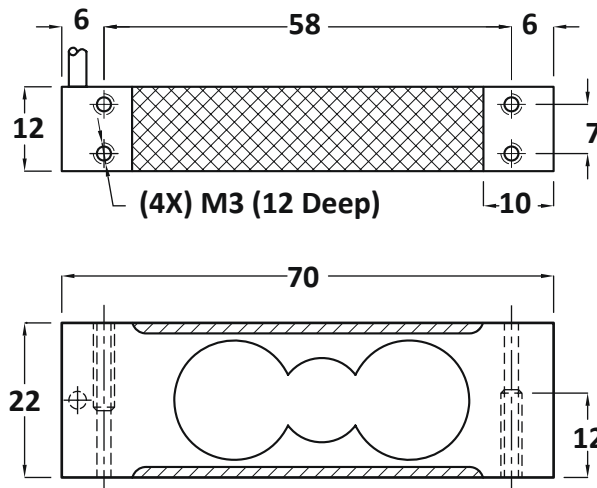
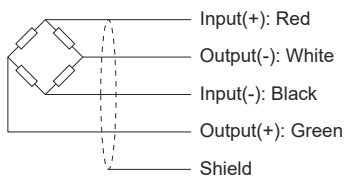


- Type:** Single Point
- Material:** Aluminum Alloy
- Surface:** Anodized Treatment
- Protection:** IP 65
- Features:** Suggested Platform
Size: 200 x 200 mm
- Application:** Bench & Counting Scales
Bagging Machine
Check Weigher

**Specifications:**

Capacity		0.3kg / 0.4kg / 0.5kg / 0.6kg / 1kg / 3kg
Accuracy Class		C3
Max. Number of Verification Intervals	n_{max}	3000
Minimum Load Cell Verification Level	v_{min}	$E_{max}/7000$
Temperature Effect on Zero	%FS/10°C	$\leq \pm 0.0200$
Temperature Effect in Sensitivity	%FS/10°C	$\leq \pm 0.0175$
Combined Error	%FS	$\leq \pm 0.0250$
Creep	%FS	$\leq \pm 0.0167$
Output Sensitivity	mv/v	1.0 ± 0.1
Input Resistance	Ω	395 ± 5
Output Resistance	Ω	350 ± 3.5
Insulation Resistance	M Ω	≥ 5000
Zero Balance	%FS	≤ 2.0
Temperature, Compensated	°C	-10 ~ +40
Temperature, Operating	°C	-20 ~ +50
Excitation, Recommended	v	5 ~ 15
Safe Overload	%FS	150
Ultimate Overload	%FS	300
Standard Cable length	m	0.45

Dimensions:

All dimensions: mm.