

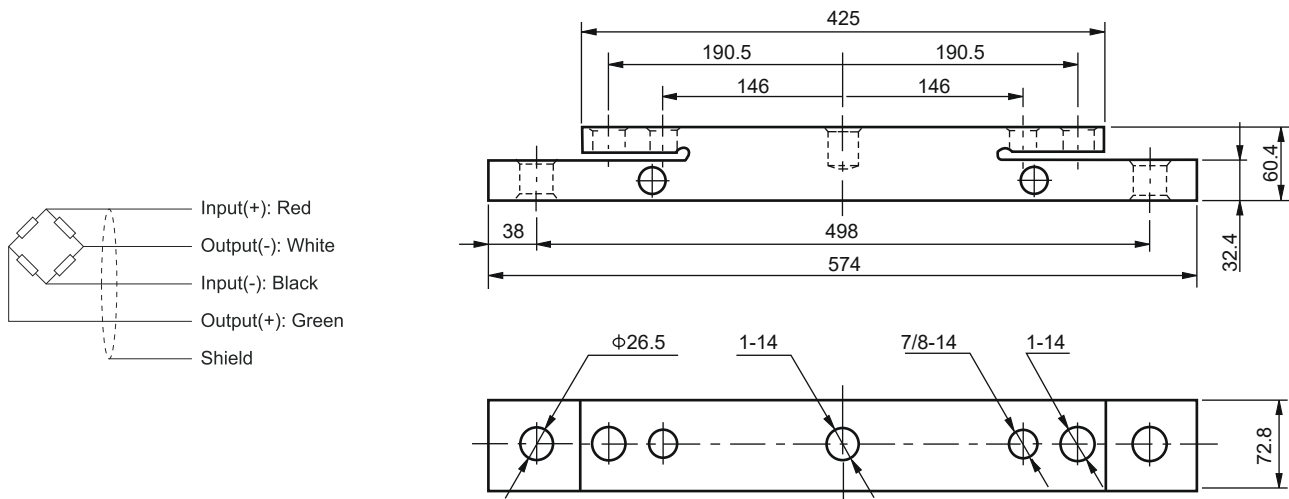
- Type:** Double Ended Beam
- Material:** Alloy Steel
- Surface:** Nickle Plated Treatment
- Protection:** IP 67
- Features:** Low Profile / Easy to use
Dynamic and static loading
- Application:** Measuring the weight of trucks
Wheel / Axle weigh
Garbage truck
Agriculture
Forestry



Specifications:

Capacity		12.5Klb
Max. Number of Verification Intervals	n_{max}	500
Minimum Load Cell Verification Level	v_{min}	$E_{max}/1000$
Temperature Effect On Zero	%FS/10°C	$\leq \pm 0.0200$
Temperature Effect in Sensitivity	%FS/10°C	$\leq \pm 0.0200$
Combined Error	%FS	$\leq \pm 0.1000$
Creep Error	%FS	$\leq \pm 0.1000$
Output Sensitivity	mv/v	1.0 ± 0.010
Input Resistance	Ω	385 ± 10
OutPut Resist	Ω	350 ± 3
Insulation Resist	M Ω	≥ 5000
Zero Balance	%FS	≤ 2.0
Temoerature, Compensated	°C	-10 ~ +50
Temperature, Operating	°C	-20 ~ +60
Excitation, Recommended	v	5 ~ 50
Safe Overload	%FS	120
Ultimate Overload	%FS	150
Satndard Cable Lengthh	m	12.0

Dimensions:



All dimensions: mm.