

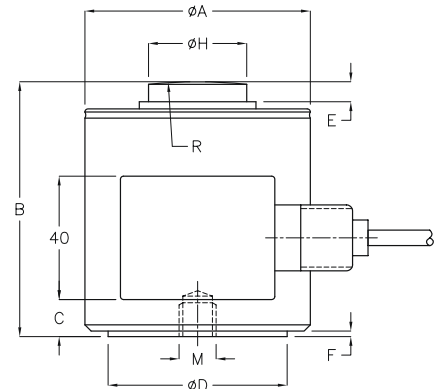
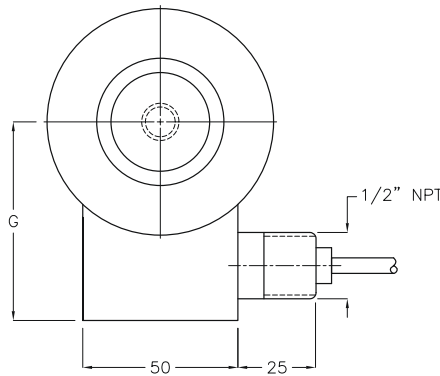
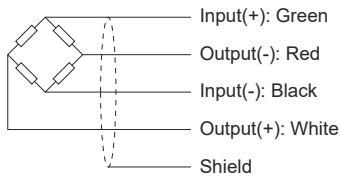
- Type:** Compression
- Material:** Stainless Steel
- Protection:** IP 68
- Features:** High Accuracy
Four Columns Construction
- Application:** Weighbridge Road
Weighbridge Rail
Truck & Silo Scales
Hopper Weigher



Specifications:

Capacity		10t / 25t / 40t / 60t / 100t / 225t / 450t
Accuracy Class		C3
Max. Number of Verification Intervals	n_{max}	3000
Minimum Load Cell Verification Level	v_{min}	$E_{max}/10000$
Temperature Effect on Zero	%FS/10°C	$\leq \pm 0.0175$
Temperature Effect in Sensitivity	%FS/10°C	$\leq \pm 0.0120$
Combined Error	%FS	$\leq \pm 0.0200$
Creep	%FS	$\leq \pm 0.0168$
Output Sensitivity	mv/v	2.0 ± 0.002
Input Resistance	Ω	450 ± 5
Output Resistance	Ω	480 ± 5
Insulation Resistance	M Ω	≥ 5000
Zero Balance	%FS	≤ 1.0
Temperature, Compensated	°C	-10 ~ +40
Temperature, Operating	°C	-40 ~ +80
Excitation, Recommended	v	5 ~ 15
Safe Overload	%FS	150
Ultimate Overload	%FS	300
Standard Cable length	m	10.0 (10t) / 20.0 (25t ~ 450t)

Dimensions:



CAP.(t)	A	B	C	D	E	F	G	H	M	R
10,25	73.0	82.5	12.0	58	6.5	1.8	64.0	31.8	M12x1.75(11 Deep)	152.0
40,60	105.0	127.0	34.0	82.5	8.0	11.0	87.0	58.7	M20x2.5(20 Deep)	152.0
100	152.4	184.2	72.3	123.8	23.6	21.8	108.2	79.2	M20x2.5(20 Deep)	432.0
225	164.0	229.0	72.3	148.0	26.0	21.8	108.0	93.7	M20x1.5(25 Deep)	400.0
450	177.0	304.5	97.0	165.1	26.0	21.8	115.0	139.7	M20x1.5(32 Deep)	1143

All dimensions: mm.