

- Type:** Compression
- Material:** Alloy Steel
- Protection:** IP 67
- Features:** Special High Capacity
Hermetically Sealed Structure
Low Profile Design
Fast Dynamic Response
- Application:** Vessels weighing
Force Measurement
Tank and silo
Process weighing

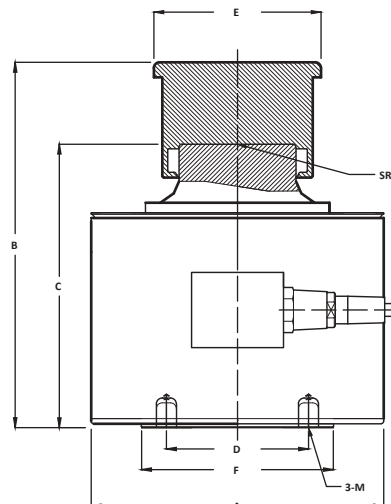
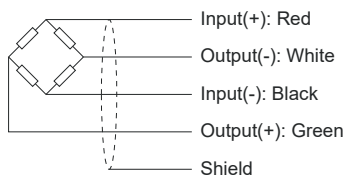


Specifications:

Capacity		200t / 500t / 700t / 1000t
Accuracy Class		C2
Max. Number of Verification Intervals	n_{max}	2000
Minimum Load Cell Verification Level	v_{min}	$E_{max}/5000$
Temperature Effect on Zero	%FS/10°C	$\leq \pm 0.0300$
Temperature Effect in Sensitivity	%FS/10°C	$\leq \pm 0.0200$
Combined Error	%FS	$\leq \pm 0.0300$
Creep	%FS	$\leq \pm 0.0200$
Output Sensitivity	mv/v	2.0 ± 0.005
Input Resistance	Ω	1165 ± 10
Output Resistance	Ω	1050 ± 5
Insulation Resistance	M Ω	≥ 5000
Zero Balance	%FS	≤ 1.0
Temperature, Compensated	°C	-10 ~ +50
Temperature, Operating	°C	-20 ~ +60
Excitation, Recommended	v	5 ~ 15
Safe Overload	%FS	120
Ultimate Overload	%FS	150
Standard Cable length	m	12.0

Dimensions:

CAP.(t)	A	B	C	D	E	F	SR	M
200	150	190	150	72	88	100	600	M10
500	235	290	230	130	150	170	800	M16
700	265	330	260	160	168	200	1000	M18
1000	320	400	320	200	190	260	1500	M20



All dimensions: mm.