

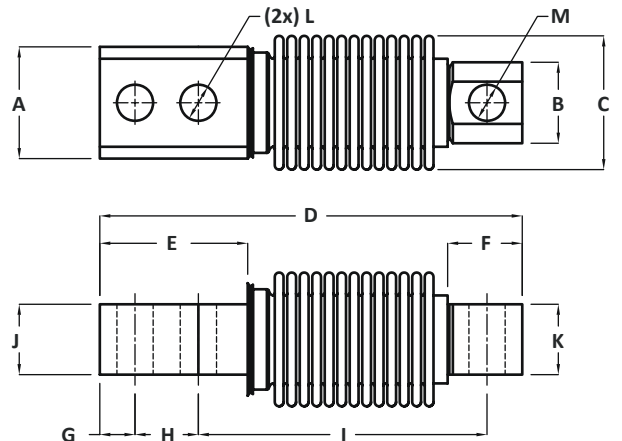
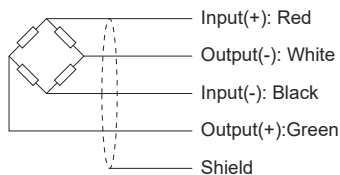
- Type:** Single Ended Beam
- Material:** Stainless Steel
- Protection:** IP 67
- Features:** Low Profile
Nice Exterior
- Application:** Belt Weighing
Hostile Environments
Loss in Weight Feeders
Marine Scales
Food Industries



Specifications:

Capacity		20kg / 50kg / 100kg / 200kg / 350kg / 500kg / 1.0t
Accuracy Class		C3
Max. Number of Verification Intervals	n_{max}	3000
Minimum Load Cell Verification Level	v_{min}	$E_{max}/10000$
Temperature Effect on Zero	%FS/10°C	$\leq \pm 0.0180$
Temperature Effect in Sensitivity	%FS/10°C	$\leq \pm 0.0180$
Combined Error	%FS	$\leq \pm 0.0200$
Creep	%FS	$\leq \pm 0.0190$
Output Sensitivity	mv/v	2.0 ± 0.1
Input Resistance	Ω	385 ± 10
Output Resistance	Ω	350 ± 3.5
Insulation Resistance	M Ω	≥ 5000
Zero Balance	%FS	≤ 1.0
Temperature, Compensated	°C	-10 ~ +50
Temperature, Operating	°C	-20 ~ +60
Excitation, Recommended	v	8 ~ 12
Safe Overload	%FS	120
Ultimate Overload	%FS	200
Standard Cable length	m	5.0

Dimensions:



CAP.(kg)	A	B	C	D	E	F	G	H	I	J	K	L	M
50,100,200 ,300,500	35	26	45	123	45	19	13	18	82	22	20	8.5	8.5
1000	50	36	60	210	93	53	15	40	133	34	25	13	14

All dimensions: mm.