



LOAD CELL  $\text{CE}$   
 Model: BM6A-C3-12kg-0.2B  
 Capacity: 12kg Class: C3  
**ZEMIC**  Do not open this device by yourself. Please contact your local authorized dealer in case of service.

## Short Description



- Stainless steel IP68 single point load cell
- Suitable for platform, belt scales and other weighing devices
- Hermetically sealed
- Maximum platform size: 350 x 350 mm



Test certificate no. TC7834 Revision 1  
 C of C no R60/2000-NL1-10.32

## Available Models

Capacity	Accuracy	Full Article Description
6kg	C3	BM6A-C3-6kg-6B6
12kg	C3	BM6A-C3-12kg-6B6
30kg	C3	BM6A-C3-30kg-6B6
60kg	C3	BM6A-C3-60kg-6B6

Specifications and dimensions are subject to change without notice and do not constitute any liability whatsoever.

## Technical Specifications BM6A

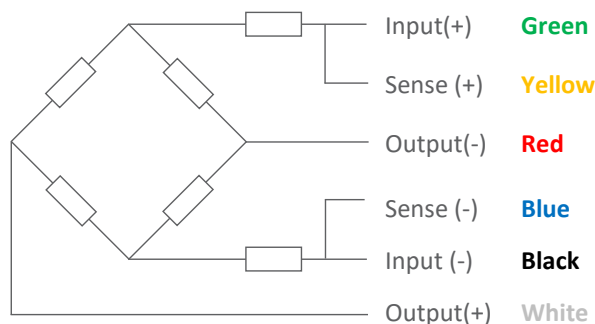
Accuracy Class		OIML R60 C3
Output Sensitivity ( = FS )	mV/V	2.0 ± 0.2
Maximum Capacity ( E <sub>max</sub> )	kg	6, 12, 30, 60
Max. Number of Load Cell Intervals	n <sub>LC</sub>	3000
Ratio of min. LC Verification Interval	$Y = E_{max} / v_{min}$	10000
Combined Error	%FS	≤± 0.0230
Creep Error (30 minutes)	%FS	≤± 0.016
Temperature Effect on Zero (ZTC)	%FS/10°C	≤± 0.015
Temperature Effect on Sensitivity (STC)	%FS/10°C	≤± 0.011
Zero Balance	%FS	≤± 1.5
Safe Overload	%FS	150
Ultimate Overload	%FS	300
Maximum Deflection	mm	0.0006 ~ 0.0017
Eccentric Loading Error	%Ld/cm	± 0.002
Excitation, Recommended Voltage	V	5 ~ 12
Excitation, Maximum Voltage	V	18
Input Resistance	Ω	400 ± 20
Output Resistance	Ω	351 ± 2
Insulation Resistance (50V)	MΩ	≥5000
Compensated Temperature	°C	-10 ~ + 40
Operating Temperature	°C	-35 ~ + 65
Storage Temperature	°C	-40 ~ + 70
Load Cell Weight	kg	~ 1.2
Element Material		Stainless Steel
Ingress Protection (acc. to EN 60529)		IP68
Recommended Torque on Fixation Bolts	Nm	M6: 10
ATEX Classification (optional)		II1G Ex ia II1C T4   II1D Ex iaD 20 T73°C   II3G Ex nL IIC T4

## Wiring

### Features:

Cable type: Shielded, 6 conductor cable , conductor AWG 24  
 Cable diameter: Ø 6.2mm  
 Cable length: 6.0m  
 Cable jacket: Polyurethane  
 Shield not connected to element

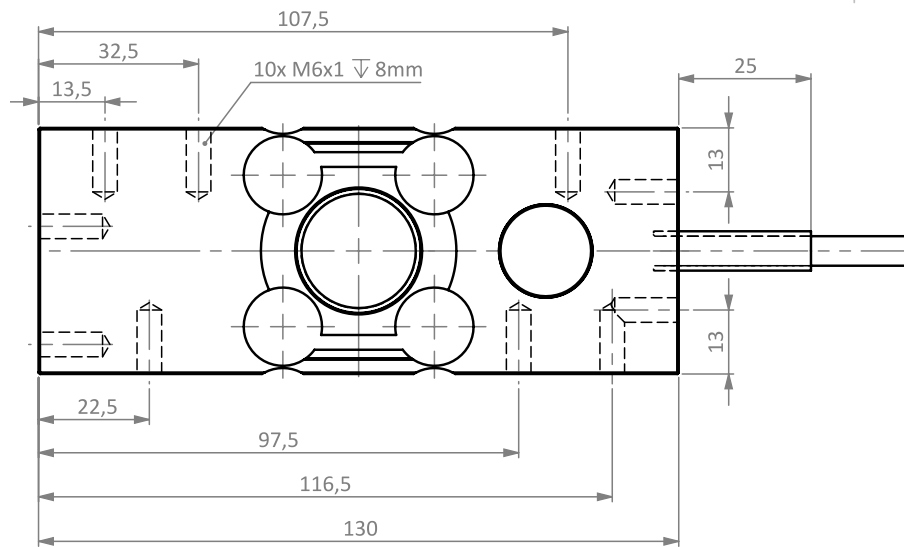
### 6-Wire Connection Diagram



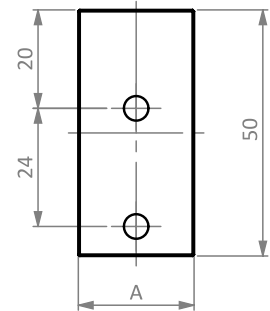
Specifications and dimensions are subject to change without notice and do not constitute any liability whatsoever.

## Dimensions in mm

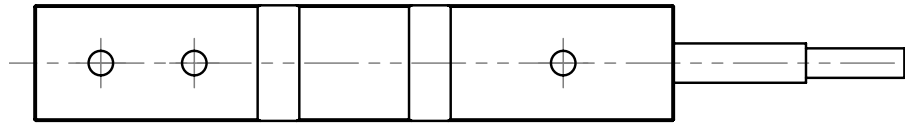
### Front View



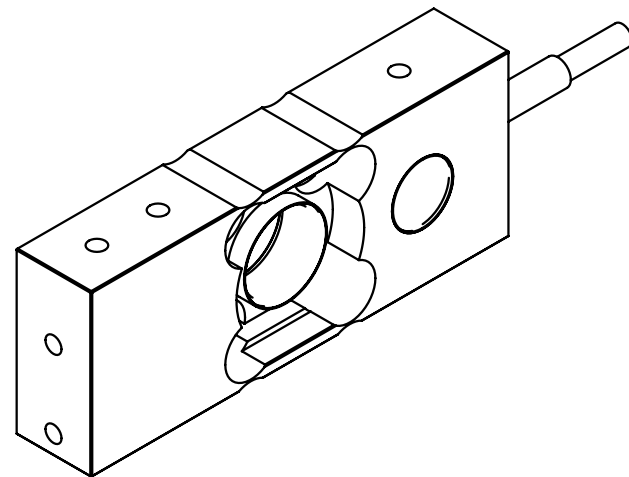
### Side View



### Top View



### Isometric View



Dimension Capacity	A
6kg, 12kg, 30kg	18.5
60kg	23.5

Specifications and dimensions are subject to change without notice and do not constitute any liability whatsoever.