



Short Description



- Stainless steel IP68 low profile load cell
- Hermetically sealed
- Suitable for hopper, platform and pallet scales
- Integrated static overload protection up to 13t



Test certificate no. TC7865 Revision 1
C of C no R60/2000-NL1-11.21



Certificate no. 11-103A1

Available Models

Capacity	Accuracy	Full article description
60kg	C3/C4/C5	BM24R-C3/C4/C5-60kg-3G
130kg	C3/C4/C5	BM24R-C3/C4/C5-130kg-3G
250kg	C3/C4/C5	BM24R-C3/C4/C5-250kg-3G
280kg	C3/C4/C5	BM24R-C3/C4/C5-280kg-3G
500kg	C3/C4/C5	BM24R-C3/C4/C5-500kg-3G
1t	C3/C4/C5	BM24R-C3/C4/C5-1t-3G
2t	C3/C4/C5	BM24R-C3/C4/C5-2t-6G
3.5t	C3/C4/C5	BM24R-C3/C4/C5-3.5t-6G
5t	C3/C4/C5	BM24R-C3/C4/C5-5t-6G
10t	C3/C4/C5	BM24R-C3/C4/C5-10t-15G
13t	C3/C4/C5	BM24R-C3/C4/C5-13t-15G
28t	C3/C4/C5	BM24R-C3/C4/C5-28t-15G
60t	C3/C4/C5	BM24R-C3/C4/C5-60t-15G

Specifications and dimensions are subject to change without notice and do not constitute any liability whatsoever.

Technical Specifications BM24R

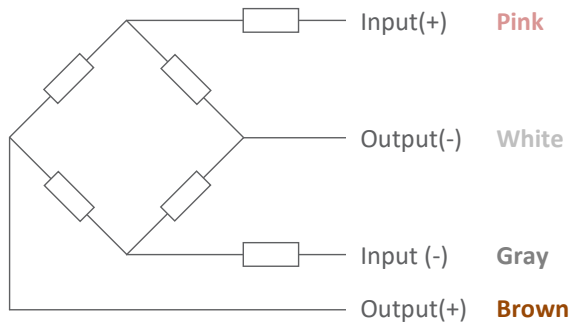
Accuracy Class		OIML R60 C3 / OIML R60 C4 / OIML R60 C5					
Output Sensitivity (= FS)	mV/V	1.0±0.01	1.75±0.2	2.0±0.1	2.0±0.1	2.0±0.1	2.0±0.1
Maximum Capacity (E _{max})	t	0.06, 0.13, 0.28	0.25	0,5, 1, 2, 3.5, 5, 10	13	28	60
Max. Number of Load Cell Intervals	n _{LC}	C3= 3000 / C4= 4000 / C5= 5000					
Ratio of min. LC Verification Interval	Y = E _{max} / V _{min}	C3= 10000 / C4= 16000 / C5= 16000					
Combined Error	%FS	C3= ≤± 0.0230 / C4= ≤± 0.0174 / C5= ≤± 0.0140					
Creep Error (30 minutes)	%FS	≤± 0.0245	≤± 0.0245	≤± 0.0184	≤± 0.0147		
Temperature Effect on Zero	%FS/10°C	≤± 0.0175	≤± 0.0117	≤± 0.0088	≤± 0.0070		
Temperature Effect on Sensitivity	%FS/10°C	≤± 0.0280	≤± 0.0140	≤± 0.0110	≤± 0.0088		
Zero Balance	%FS	≤± 1.0					
Minimum Dead load	%FS	0					
Safe Overload	%FS	150					
Ultimate Overload	%FS	300					
Excitation, Recommended Voltage	V (DC)	10 ~ 15					
Excitation, Maximum Voltage	V (DC)	30					
Input Resistance	Ω	1260 ± 100	1100 ± 100	1100 ± 100	1200 ± 100	1075 ± 100	1350 ± 200
Output Resistance	Ω	1020 ± 0.5	1025 ± 25	1025 ± 25	1000 ± 0.5	930 ± 0.5	1175 ± 0.5
Insulation Resistance (50V)	MΩ	≥5000					
Compensated Temperature	°C	-10 ~ + 40					
Operating Temperature	°C	-35 ~ + 65					
Storage Temperature	°C	-40 ~ + 70					
Load Cell Weight	kg	~0.6 – 6.7					
Element Material		Stainless Steel					
Ingress Protection (acc. to EN 60529)		IP68					
Recommended Torque on Fixation	Nm	M5: 3.5			M6: 10		
ATEX Classification (optional)		IECEx, II 1 G Ex ia IIC T4 Ga, II 1 D Ex ia IIIC T73 °C Da, II 3 G Ex ic IIC T4 Gc, II 3 G Ex nA IIC T4 Gc, II 3D Ex tc IIIC T63 °C Dc					

Wiring

Features:

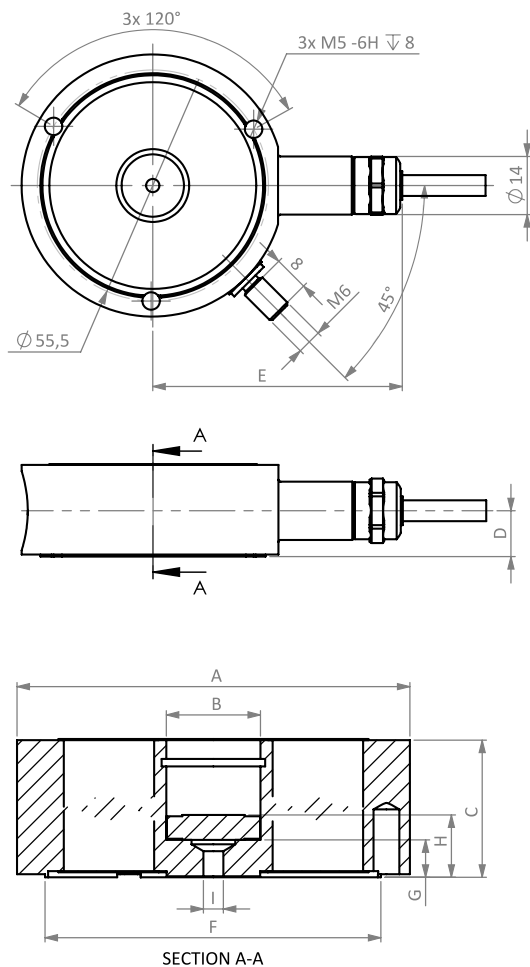
Cable type: Shielded, 4 conductor cable , conductor AWG 24
 Cable diameter: $\varnothing 6.2\text{mm} \pm 0.1\text{mm}$
 Cable length: 60kg – 1t: 3m, 2t – 5t: 6m, 10t – 60t: 15m
 Cable jacket: Polyurethane
 Shield connected to element

4-Wire Connection Diagram

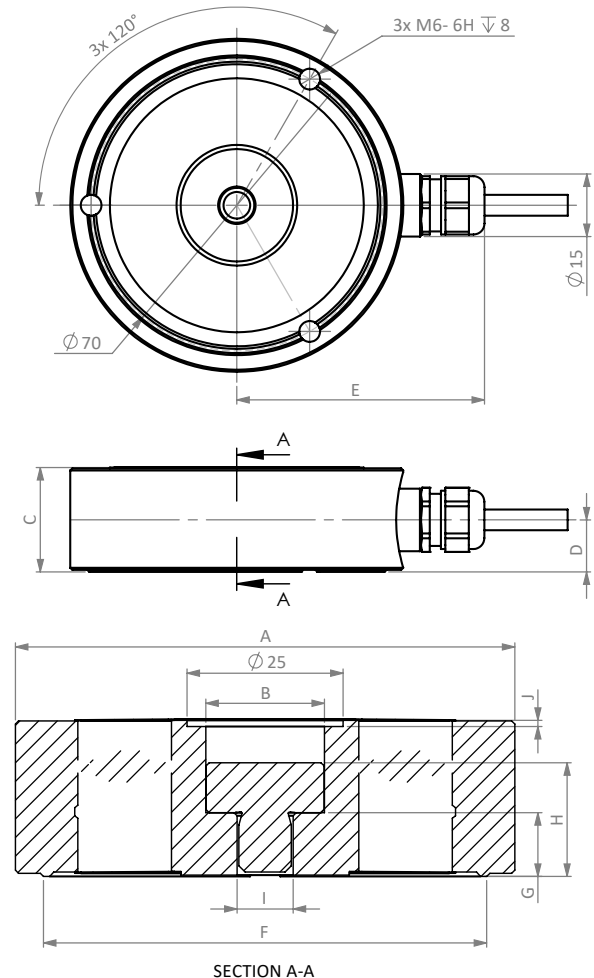


Dimensions in mm

0.06, 0.13, 0.28t



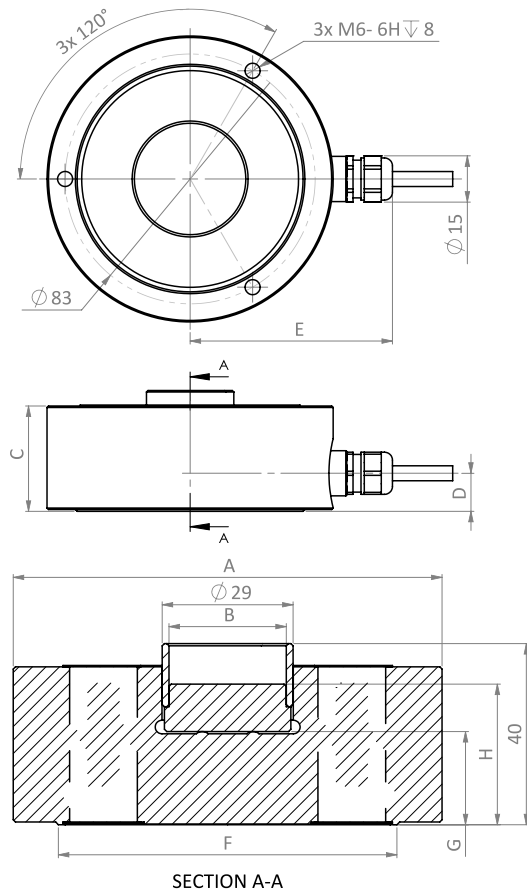
0.25, 0.5, 1, 2, 3.5, 5t



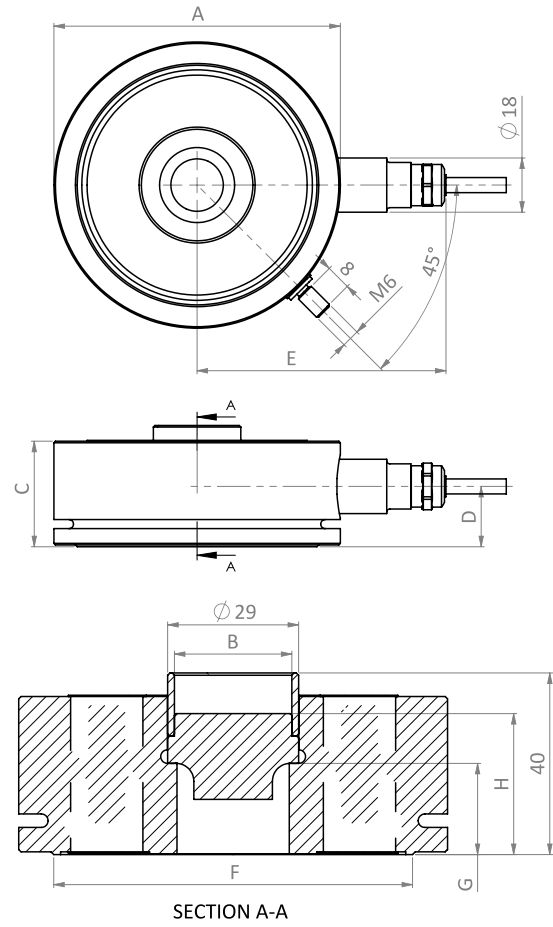
Specifications and dimensions are subject to change without notice and do not constitute any liability whatsoever.

Dimensions in mm

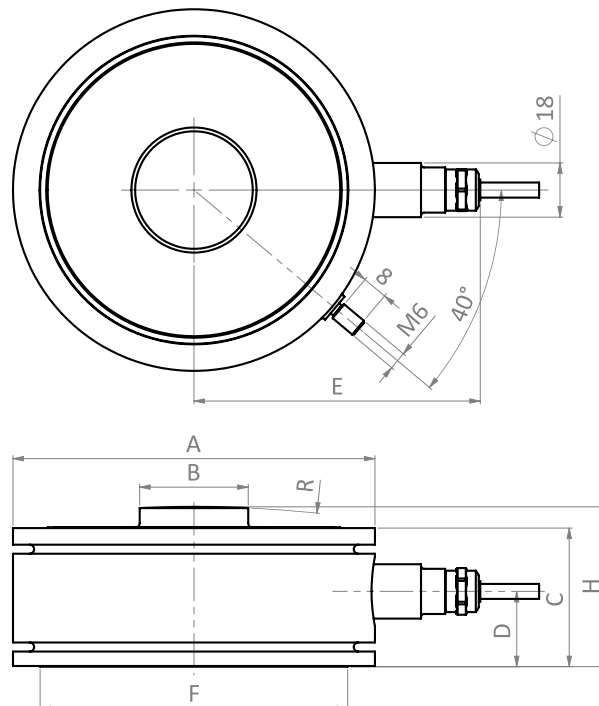
10t



13t



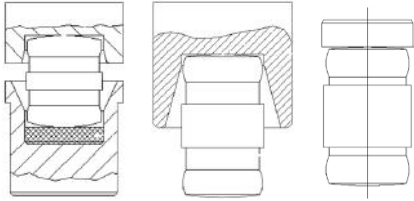
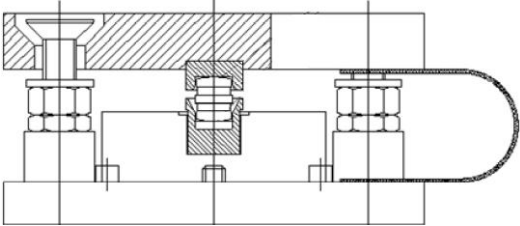
28, 60t



Specifications and dimensions are subject to change without notice and do not constitute any liability whatsoever.

Dimension Capacity	ØA	ØB	C	D	E	ØF	G	H	I	J	R
0.06t, 0.13t, 0.28t	63	15.1	22	11	60	54	6	10	Ø3.2	-	-
0.25t, 0.5t, 1t	80	19	25	12.5	65	71	10	18	M10	1	-
2t, 3.5t, 5t	80	19	30	12.5	65	71	10	18	Ø15	6	-
10t	95	26	35	12.5	67	75	20.7	31.2	-	-	-
13t	95	26	35	20	82.5	79.5	20	31	-	-	-
28t	120	35.9	46	25	94	102	-	53	-	-	400
60t	140	47.9	62	34	104	124	-	69	-	-	600

Available accessories

<p>BM-24-401/402/403-Z2/Z3-0.25-13t Rocker pin set</p> <ul style="list-style-type: none"> • Automatic centring of load • Anti-corrosion • Easy installation • Stainless steel 	
<p>BM-24-401/402/403-0.25-13t tank mount</p> <ul style="list-style-type: none"> • Stainless steel mount • Easy load cell access • Easy installation • Lift-off protection • Controlled horizontal movement 	
<p>BM-24-904-28t/60t tank mount</p> <ul style="list-style-type: none"> • Stainless steel mount for largest capacities • Easy installation • Controlled horizontal movement 	