

Type BM14D Load Cell



Short description



- Stainless steel IP68 compression/tension load cell
- Hermetically sealed
- Suitable for vehicle and hopper scales and vehicle testing facilities
- Built in surge arrestors

Available models

| Capacity | Accuracy | Full article description |
|----------|----------|--------------------------|
| 10t | C2 | BM14D-C2-10t-20B |
| 20t | C2 | BM14D-C2-20t-20B |
| 25t | C2 | BM14D-C2-25t-20B |
| 30t | C2 | BM14D-C2-30t-20B |
| 40t | C2 | BM14D-C2-40t-20B |
| 50t | C2 | BM14D-C2-50t-20B |
| 100t | C2 | BM14D-C2-100t-20B |

Specifications and dimensions are subject to change without notice and do not constitute any liability whatsoever.

Type BM14D Load Cell

Technical specifications BM14D

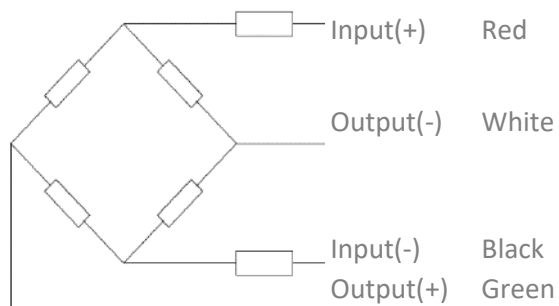
| | | | | |
|--|-------------------------|-----------------------------|----------------------|----------------|
| Accuracy class | | C2 | | |
| Output sensitivity (= FS) | mV/V | 1.5 ± 0.002 | | |
| Maximum capacity (E _{max}) | t | 10, 20, 25, 30, 40, 50, 100 | | |
| Max. number of load cell intervals | n _{LC} | 2000 | | |
| Ratio of min. LC verification interval | $Y = E_{max} / v_{min}$ | 5000 | | |
| Combined Error | %FS | ≤± 0.030 | | |
| Minimum dead load | Of E _{max} | 0% | | |
| Safe overload | of E _{max} | 150 % | | |
| Ultimate overload | of E _{max} | 300 % | | |
| Zero balance | of FS | < ± 1.0 % | | |
| Excitation, recommended voltage | V | 5 ~ 12 | | |
| Excitation maximum | V | 18 | | |
| Input resistance | Ω | 700 ± 7 | | |
| Output resistance | Ω | 703 ± 4 | | |
| Insulation resistance | MΩ | ≥5000 (at 50VDC) | | |
| Compensated temperature | °C | -10 ~ +40 | | |
| Operating temperature | °C | -35 ~ +65 | | |
| Storage temperature | °C | -40 ~ +70 | | |
| Element material | | Stainless steel | | |
| Ingress Protection (acc. to EN 60529) | | IP68 | | |
| ATEX classification (optional) | | II1G Ex ia II1C T4 | II1D Ex iaD 20 T73°C | II3G nL IIC T4 |

Wiring

Features:

Shielded, 4 conductor cable
Cable diameter: Ø5mm
Standard cable length: 20m
Shield not connected to element

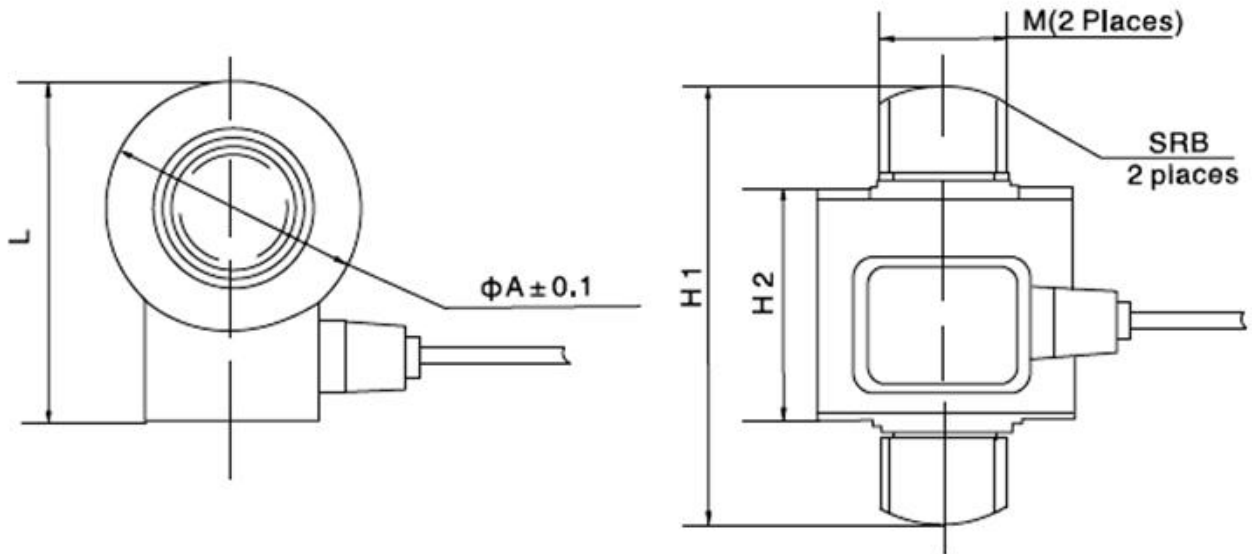
4-wire diagram



Specifications and dimensions are subject to change without notice and do not constitute any liability whatsoever.

Type BM14D Load Cell

Dimensions in mm



| Dimension Capacity | H1 | H2 | ØA | L | SRB | M |
|--------------------|-----|-------|-------|-------|-----|---------|
| 10t, 20t | 180 | 69.3 | 73 | 99.7 | 200 | M36 x 3 |
| 25t, 30t | 200 | 70 | 88.9 | 115.6 | 250 | M42 x 3 |
| 40t, 50t | 250 | 99.3 | 105 | 138.3 | 300 | M56 x 4 |
| 100t | 350 | 131.9 | 152.4 | 183.9 | 400 | M76 x 4 |

Specifications and dimensions are subject to change without notice and do not constitute any liability whatsoever.